



REAL INNOVATION



2023

CLP
CLEANER
LUBRICANT
PROTECTANT

BORE-MAX
SPEED LAGS & PITCHES
MULTI-CAL PACK

REAL

NEXT LEVEL INNOVATION	2-3
REAL PARTNERSHIP	4-5
MERCHANDISING SOLUTIONS & PRO SHOPS	6-15
INTRODUCING NEW PRODUCTS	16-29
HIGH PERFORMANCE TOOLS FOR GUNS	30-47
GUN-SPECIFIC MULTI-TOOLS	48-55
HIGH PERFORMANCE GUN CLEANING™	56-69
ABOUT US	70-71

NEXT LEVEL INNOVATION.

Our passion and relentless pursuit of innovation enabled us to set the bar high and achieve a brand leadership position in the world of gun tools and gun cleaning. This year we are not only raising that bar, we are redefining the category. We created the world's first true gun vise and are now introducing the world's first system for DIY gun building, scope mounting and cleaning. Our new line of Smart-Assist™ accessories turns the Master Gun Vise® or the new Master Gun Workstation™ into a personal work center with hands-free assistance.

From Master Grade® Tools to High Performance Gun Cleaning™ products to the world's leading line of Gun Multi-Tools, every Real Avid product raises the bar and redefines a new standard for real-world performance.

Professional, experienced shooters, Gun DIY® and first-time gun buyers have learned to count on Real Avid to provide smart solutions that redefine cleaning, maintaining and gun building.



PARTNERING FOR GROWTH.

WE WIN WHEN YOU WIN.

Your success is our success. Your shop, your customers, your employees and your relationships sell our products, and we are grateful for your expertise. Our team will work hard to understand your needs and devise a mutual plan to maximize your sales.

GUN DIY REDEFINED.

Our mission is understanding the GUN DIY customer and harmonizing the REAL AVID brand and products with innovative solutions that revolutionize the category. We apply that same thinking to the development of best-in-class merchandising to communicate product benefits and drive turns for you.



MERCHANDISING REDEFINED.

Our Pro Shop Merchandising programs upgrade the shopping experience in your store and drive sales, traffic and margin. Contact our dedicated independent dealer support team to develop the best program for your needs and watch your sales grow!

MAKE IT HAPPEN!

Is there a section of your store that could use improvement? Ready to create a GUN DIY® product showcase that will command customer attention, energize your staff and elevate sales? Let us partner with you and prove the dramatic impact and results that will follow.

“Real Avid is the best in the business at designing impactful merchandisers for every space in our shop.”



CUSTOMIZED PRO SHOP MERCHANDISING EXCELLENCE.

You know your customers and the products they demand better than anyone. We aim to incorporate your knowledge and experience to build the ultimate merchandising solution tailored to your market. Choose as a starting point any of the Pro Shop Upgrade in-line assortments or endcaps, let us know your preferred product mix and we'll build you an amazing, attention-grabbing showcase. Results will include increased aisle traffic, higher turns on pegs and superior margins on gun cleaning and tools. Let your ultimate customized Pro Shop showcase do the selling for you.

NEXT-LEVEL MERCHANDISING.

Real Avid® Pro Shop Upgrades provide visual appeal that commands your customers' attention and interest. Professionally-designed signage and logical product organization eliminate frustration and intimidation from shopping for gun building, cleaning and maintenance tools, making it easy for your customers to find what they need for their GUN DIY® projects.



"This set draws customers in from the second they walk into our store."

LEADERBOARD ASSORTMENT

You are the leader in your market and have worked tirelessly to achieve success. You attract a broad base of customers who count on you to have everything they need for firearms. Adding our 28ft wide by 4ft high flagship set will make a statement that you are the destination for everything GUN DIY®. This attention-grabbing set showcases a complete collection of gun building and maintenance tools along with an innovative new assortment of high-end cleaning gear. Make that statement to your competition and customers by adding the most productive and profitable sales tool available in the gun accessories category.

ITEM# AV428-23 MSRP \$21,024.67

Planogram includes:

- 167 SKUs, 737 units
- (2) 48" x 14.125" headers with hardware
- (2) 36" x 6" headers with hardware
- (1) 24" x 6" header with hardware
- (4) 48" x 12" aisle violators with hardware
- (3) 6" x 12" high-fives with hardware
- Full set of reorder cards

Dealer needs to supply:

- Fixture
- 165 peg hooks
- Shelving for 12 SKUs



“Real Avid’s Pro Shops outsell every accessory brand in our store.”

The Real Avid Pro Shop Upgrade Assortments shown are designed on 1" pegboard. Depending on fixture type and material (grid, slatwall, etc.) that your shop currently owns, this layout may need to be modified during assembly. These planograms are a guideline of the proper product layout and signage location per assortment to maximize display space and consumer engagement. Fixtures and pegs are not included with the purchase of Real Avid Pro Shop Upgrade Assortments.

BULLSEYE ASSORTMENT

At 12ft wide and 4ft high, this significant set is a merchandised best sellers list featuring our top 84 products. The Bullseye is a great all-around assortment for shops catering to a wide range of customers, and features gun cleaning options for virtually any caliber and any type of shooter. Also included are essential tools for scope mounting and AR15 maintenance as well as gun-specific multi-tools that make great gifts and impulse buys for those who like putting rounds down range. Exceed your sales targets with the sell-through power of the Bullseye.

ITEM# AV412-23 MSRP \$10,773.31

Planogram includes:

- 84 SKUs, 369 units
- (1) 48" x 14.125" header with hardware
- (2) 36" x 6" headers with hardware
- (3) 48" x 12" aisle violators with hardware
- (3) 6" x 12" high-fives with hardware
- Full set of reorder cards

Dealer needs to supply:

- Fixture
- 77 peg hooks
- Shelving for 11 SKUs



“Real Avid’s custom planograms are exactly what we needed in our shop.”

CORE ASSORTMENT

At 8ft wide and 4ft high, this powerful set is a collection of our 54 top sellers and is our best-selling assortment. This set will cover the core needs of almost any type of shooter. Included are our cleaning kits, multi tools and core tools for optics mounting and maintenance. Keep it fed and it will be the most profitable eight feet in your store.

ITEM# AV48-23 MSRP \$7,226.35

Planogram includes:

- 54 SKUs, 265 units
- (1) 48" x 14.125" header with hardware
- (2) 48" x 12" aisle violators with hardware
- (3) 6" x 12" high-fives with hardware
- Full set of reorder cards

Dealer needs to supply:

- Fixture
- 47 peg hooks
- Shelving for 10 SKUs

Pro Shop Merchandising Also Available In:

- 16' Essential DIY Assortment
- 20' Top Shot Assortment
- Customizable Sizes Built to Your Space

See your local Real Avid Sales Rep. for more information!



REAL AVID® ENDCAPS AND DISPLAYS.

Looking to increase turns and create a showcase in a smaller space? We listened to your needs and created three attention-grabbing options. The Cleaning Essentials endcap is designed to drop into your existing pegboard, and the header and side wings highlight the product features and benefits. The Build & Customize and Shotgun Essentials displays each include a professionally-designed, free-standing fixture complete with header, footer and side panel signage. Add one to your shop and watch your sales and profits grow.

“This is the most productive brand we carry.”

CLEANING ESSENTIALS ENDCAP

The Cleaning Essentials endcap includes our top selling cleaning products. From single pass bore cleaning to complete kits and chemicals, this assortment serves the majority of cleaning needs for gun owners. This endcap is a one-stop-shop for your customers’ gun cleaning needs.

ITEM# AV43-23CE MSRP \$2,204.25

Planogram includes:

- 32 SKUs, 175 units
- (1) 36" x 16" header with hardware
- (2) 48" x 14" side wings with hardware
- Full set of reorder cards

Dealer needs to supply:

- Fixture
- 27 peg hooks
- Bottom shelf for 7 SKUs



BUILD & CUSTOMIZE DISPLAY FIXTURE

This 3ft wide x 5ft high display includes a mix of our newest tools and top selling tools. From modifying AR15s to mounting scopes, or replacing handgun sights or grips, your customer can make their gun their own with this collection of products.

ITEM# AV43-23BCD MSRP \$3,199.58

Planogram includes:

- 13 SKUs, 42 units
- (1) 36" x 60" x 18" single-sided pegboard fixture
- (2) 15.875" x 50.86" interchangeable graphic side panels
- (40) 8" black peg hooks
- Full set of reorder cards



SHOTGUN ESSENTIALS DISPLAY FIXTURE

This 3ft wide x 5ft high display includes our essential shotgun tools and cleaning items. From complete cleaning kits to multi-tools and chemicals, this assortment provides the must-have items for every shotgun owner.

ITEM# AV43-23SED MSRP \$2,316.51

Planogram includes:

- 23 SKUs, 149 units
- (1) 36" x 60" x 18" single-sided pegboard fixture
- (2) 15.875" x 50.86" interchangeable graphic side panels
- (40) 8" black peg hooks
- Full set of reorder cards



MERCHANDISING SOLUTIONS THAT DRIVE SALES.



MASTER GUN VISE® FLOOR DISPLAY
ITEM# AVMGV-FD6
MSRP \$1,799.94

Merchandising is a critical part of our strategy at Real Avid® and we take it very seriously. In addition to the Pro Shop assortments, endcaps and displays shown previously, we complete our lineup with PDQ counter displays, sidekicks, 1/4 pallets and clip strips. Every asset is designed to command your customers' attention and make the sale.

SIDEKICK MERCHANDISERS



BORE BOSS®
ITEM# AVBBFSD11V2
MSRP \$419.58



PGL AEROSOL SIDEKICK
ITEM# AVCASK2
MSRP \$515.64

3 TOOL PDQS



3 TOOL PDQ – AR15
ITEM# AV3T-ARPDQ
MSRP \$239.82



3 TOOL PDQ – GIFTING
ITEM# AV3T-GPDQ
MSRP \$719.82

“No one merchandises better than Real Avid.”

CLIP-STRIPS (PRODUCT NOT INCLUDED)



TRI-MAX CLP® CLIP STRIP
ITEM# AVDMS-CLPCS



GUN-MAX® GUN OIL CLIP STRIP
ITEM # AVDMS-GOCS



FIELD ESSENTIALS CLIP STRIP
ITEM# AVDMS-FECS

CUSTOMIZE TO WHAT YOUR CUSTOMERS WANT. WHETHER THEY THINK THEY DO OR NOT.

FREE ON REQUEST. CONTACT YOUR SALES REPRESENTATIVE.

GUN TOOL AMP® PDQS



GUN TOOL AMP® – AR15
ITEM# AVGTAMPPOP-AR
MSRP \$419.94



GUN TOOL AMP® - PISTOL
ITEM# AVGTAMPPOP-P
MSRP \$419.94

PRIME-9 PDQ



PRIME 9 HANDGUN CLEANING KIT
ITEM# AVGCK9MM-12D
MSRP \$179.88

4 OZ CHEMICAL PDQS



BORE-MAX® 4 OZ BOTTLE
ITEM# AVBMS4L-PDQ
MSRP \$107.88



GUN-MAX® 4 OZ BOTTLE
ITEM# AVBMG04L-PDQ
MSRP \$107.88



TRI-MAX CLP® 4 OZ BOTTLE
ITEM# AVCLP4L-PDQ
MSRP \$107.88

NEW

RAISING THE BAR ON GUN DIY[®] EXPERIENCE.

INTRODUCING NEW PRODUCTS

Building on our history of breakthrough innovation, we set our sights on redefining GUN DIY with our new product lineup for 2023. Read on to experience the world's first hands-free accessory system for GUN DIY and several more next-level new products.



GUN DIY[®] REDEFINED.



SMART ASSIST
ATTACHES TO MASTER GUN VISE

MASTER GUN VISE[®]

It should be no surprise that Real Avid has redefined GUN DIY and developed the world's first gun BUILD, MOUNT, CLEAN and ASSIST system. You no longer need to improvise when working on your firearms as we have developed the most innovative system available for all of your gun care needs. Our Master Gun Vise and Master Gun Workstation[™] incorporate more features than ever seen before to help you do your best work. The new Smart-Assist[™] system of accessories attaches to both the vise and workstation, or work on their own to light, magnify and organize your workspace, hands-free.

THE FIRST EVER TRUE GUN VISE.

THE FIRST EVER TRUE GUN WORKSTATION.

THE FIRST PLUG & PLAY WORK ACCESSORIES SYSTEM FOR GUN DIY.

Carry the complete system in your stores and you will be sure to attract attention and drive sales with these game-changing tools and accessories. The entire industry will be buzzing about the intelligent, innovative and thoughtful features incorporated into these products and simply placing them on display will trigger "why didn't I think of that" moments from your customer. It's time to let the cash register ring!

SMART-JAWS[™] FOR MASTER GUN VISE



MULTI-FIT[™] SLEEVES



TUBE-FIT[™] SLEEVES



SMART ASSIST
ATTACHES TO MASTER GUN WORKSTATION

SMART ASSIST
ALSO ATTACHES TO YOUR WORKBENCH

MASTER GUN WORKSTATION[™]

SMART ASSIST

SMART-ASSIST[™] ACCESSORY SYSTEM



SMART-ASSIST CONNECTOR ATTACHES ACCESSORIES WHEN YOU NEED THEM QUICKLY AND EASILY.



180 LUMEN WORK LIGHT
3 SELECTABLE SETTINGS TO ILLUMINATE DARK, HARD-TO-SEE AREAS.



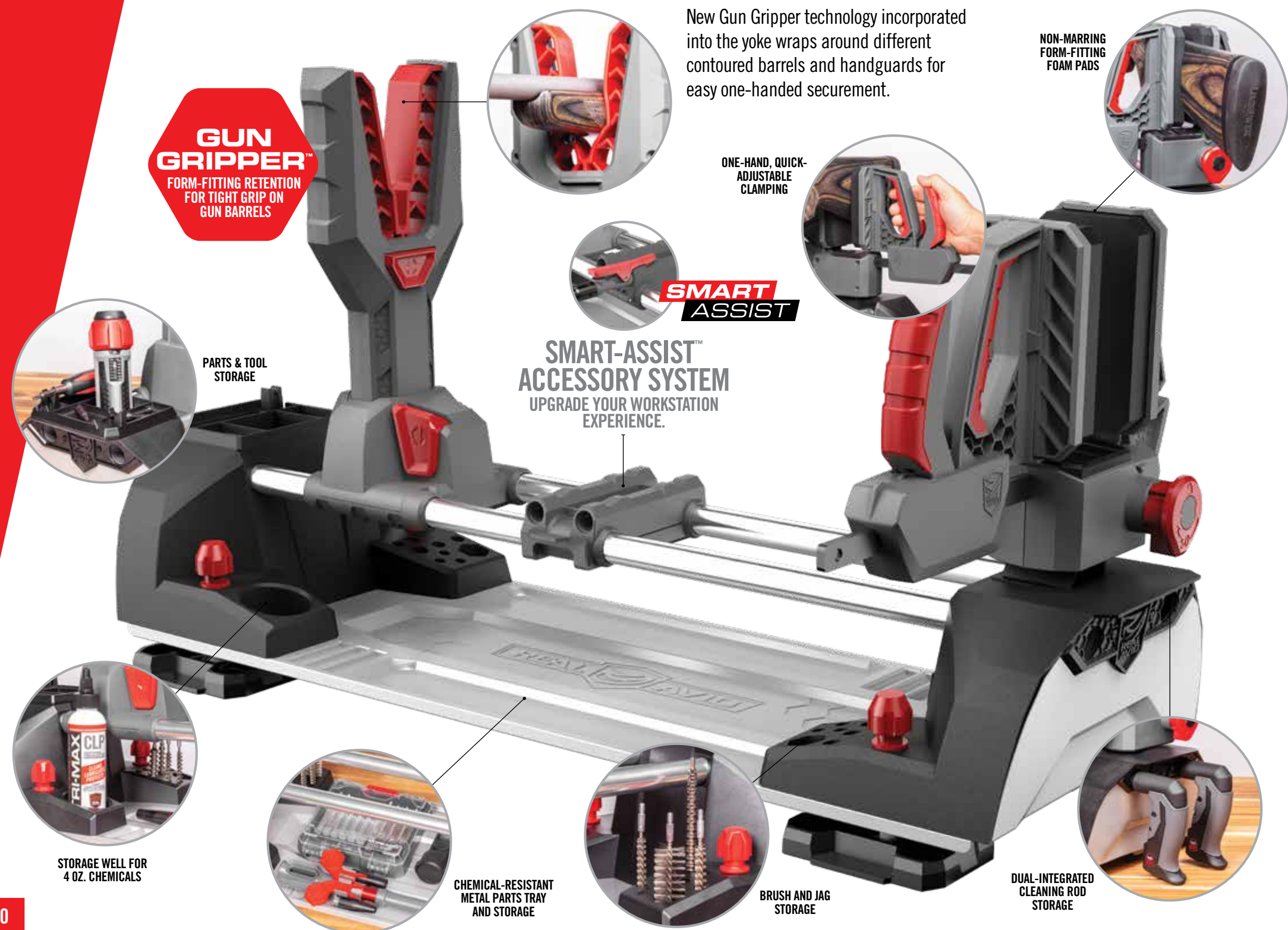
5-INCH MAGNIFYING GLASS
GREAT FOR MAGNIFYING DELICATE TASKS.



CELL PHONE HOLDER
A HANDS-FREE WAY TO WATCH HOW-TO VIDEOS AND ANSWER CALLS.

THE FIRST EVER TRUE GUN WORKSTATION.

REVOLUTIONIZE HOW YOU CLEAN, REPAIR, CUSTOMIZE & MOUNT.



GUN GRIPPER™
FORM-FITTING RETENTION FOR TIGHT GRIP ON GUN BARRELS

New Gun Gripper technology incorporated into the yoke wraps around different contoured barrels and handguards for easy one-handed securement.

NON-MARRING FORM-FITTING FOAM PADS

ONE-HAND, QUICK-ADJUSTABLE CLAMPING

SMART ASSIST

SMART-ASSIST™ ACCESSORY SYSTEM
UPGRADE YOUR WORKSTATION EXPERIENCE.

PARTS & TOOL STORAGE

STORAGE WELL FOR 4 OZ. CHEMICALS

CHEMICAL-RESISTANT METAL PARTS TRAY AND STORAGE

BRUSH AND JAG STORAGE

DUAL-INTEGRATED CLEANING ROD STORAGE



ADJUSTABLE FIT FOR YOUR RIFLES AND SHOTGUNS.

THE QUICK-ADJUST SHUTTLE OFFERS UP TO 18" OF WIDTH ADJUSTABILITY FOR PRECISE LOCATION OF THE YOKE.

THE SMART AND EASY WAY TO WORK ON YOUR GUN.



TRIGGER CLAMP QUICKLY ENGAGES AND DISENGAGES FORM-FITTING FOAM PADS WITH EASE, TO SECURE YOUR FIREARM FOR THE UTMOST PROTECTION.



WHEN INSTALLING OPTICS, THE ACCU-LEVEL™ KNOB LOCATED ON THE TRIGGER CLAMP OFFERS 6 DEGREES OF TILTING MICRO-ADJUSTMENTS FOR LEVELING FIREARMS.



HEIGHT-ADJUSTABLE, NON-SLIP FEET THAT ARE CAPABLE OF BEING CLAMPED TO A BENCH OR BOLTED DOWN FOR A LONG-TERM SOLUTION.

MASTER GUN WORKSTATION™

The Master Gun Workstation is the most advanced, versatile and comprehensive firearm workstation available! Cleaning, scope mounting and small gunsmithing has never had it this easy. The ingenious one-handed setup for firearms with chemical, brushes, jags and cleaning rod storage turned what some would call the ultimate vise into the ultimate workstation.

PATENT PENDING

NEW ITEM # AVMGWS | MSRP \$199.99

UPGRADE YOUR WORKBENCH EXPERIENCE.

180 LUMEN WORK LIGHT
3 SELECTABLE SETTINGS
TO ILLUMINATE DARK,
HARD-TO-SEE AREAS.



5-INCH
MAGNIFYING GLASS
GREAT FOR MAGNIFYING
DELICATE TASKS.



CELL PHONE HOLDER
A HANDS-FREE WAY TO
WATCH HOW-TO VIDEOS AND
ANSWER CALLS.

QUICK-CONNECT
DOCK SYSTEM

ATTACHES TO YOUR WORKBENCH

WORKS ON THE REAL AVID MASTER
GUN VISE®, MASTER GUN WORKSTATION™
OR MOUNTS TO YOUR BENCH.

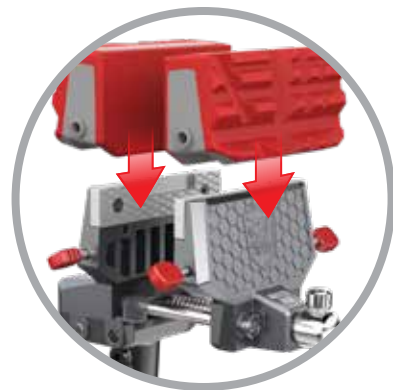
THE FIRST PLUG & PLAY HANDS-FREE ACCESSORY SYSTEM FOR GUN DIY.®



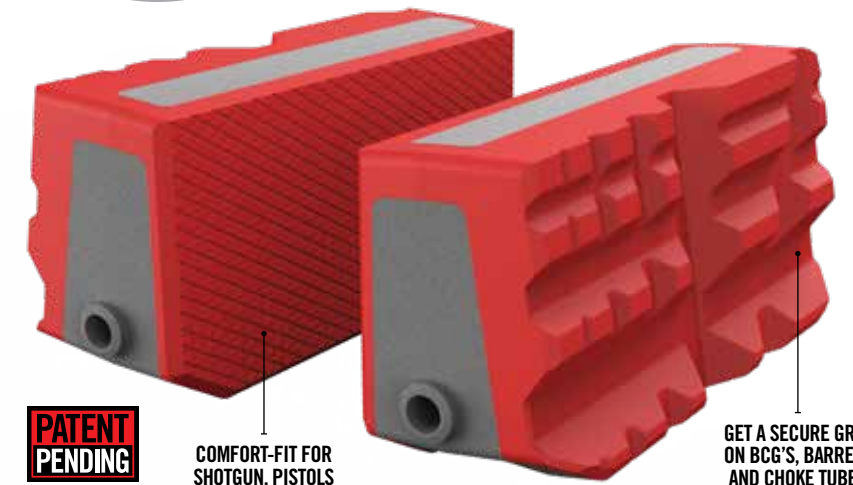
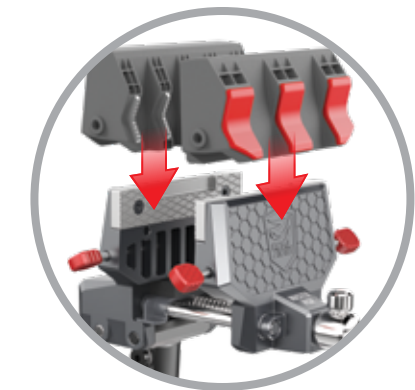
ATTACHES TO MASTER
GUN VISE



ATTACHES TO MASTER
GUN WORKSTATION



EXPAND YOUR MASTER GUN VISE® WITH PROJECT-SPECIFIC JAWS.



PATENT
PENDING

COMFORT-FIT FOR
SHOTGUN, PISTOLS
AND BOLT GUNS

GET A SECURE GRIP
ON BCG'S, BARRELS
AND CHOKE TUBES



PATENT
PENDING

STEEL SIDE
APPLIES THE ULTIMATE
VISE-LIKE GRIP

SOFT, INTERLOCKING
JAWS SECURES GRIPPING
AND TORQUING POWER

SMART
ASSIST

SMART-ASSIST™ QUICKLY
CONNECTS WHENEVER AND
WHEREVER YOU NEED THEM.

SMART-ASSIST™ ACCESSORY SYSTEM

PATENT
PENDING

The smart and easy way to mount accessories to your work area. Simply attach the Smart-Assist Accessory System to your Master Gun Vise, Master Gun Workstation or benchtop for a better working experience. The quick-connect locking system offers a one-handed, flexible way to magnify or illuminate your Gun DIY projects while watching your favorite gunsmith.

NEW ITEM # AVMVACC | MSRP \$99.99

SMART-JAWS™ - MULTI-FIT™ SLEEVES FOR MASTER GUN VISE®

When it comes to working on firearms, there is no one-surface area or jaw angle that fits every need. From long guns and pistols, to barrels and guide rods, The Smart-Jaws Multi-Fit Sleeves have you covered. These non-marring, thermoplastic rubber-covered jaws accommodate all sizes and shapes of guns and parts to hold them securely without damaging your investment. The flat, but slightly textured area is designed to secure your shotgun, pistol or bolt gun. When working on bolts, barrels or choke tubes, simply reverse the jaws and find the groove that best fits your project needs.

NEW ITEM # AVSFJMF | MSRP \$34.99

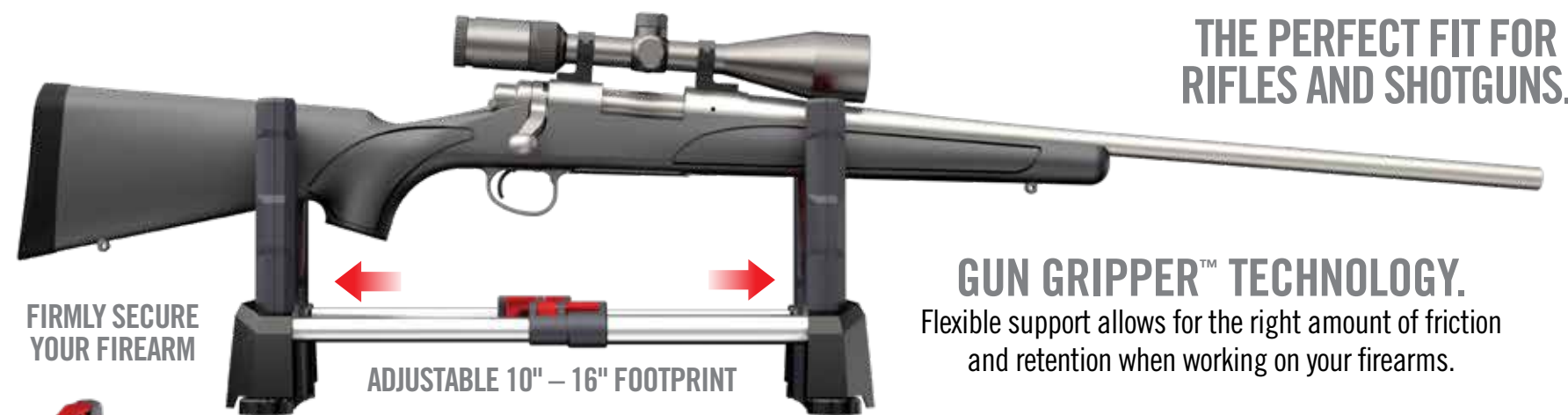
SMART-JAWS™ - TUBE-FIT™ SLEEVES FOR MASTER GUN VISE®

Securing cylindrical objects can be difficult and frustrating without the right tool for the job. Smart-Jaws Tube-Fit Sleeves are engineered to provide a secure grip on suppressors, PVC and cast-iron pipe, and all types of tubing, and are two-sided to best fit the application. For delicate items such as suppressors, the non-marring, soft jaws apply ample gripping and torquing power to loosen the tightest fits without damaging your investment. For tough jobs when marring is not an issue, such as with cast-iron pipe or steel tubing, simply reverse the jaws to the steel side for the ultimate vise-like grip.

NEW ITEM # AVSFJPF | MSRP \$44.99

NEW

THE PORTABLE, SECURE GUN CLEANING AND MODIFICATION STAND.



THE PERFECT FIT FOR RIFLES AND SHOTGUNS.

GUN GRIPPER™ TECHNOLOGY.
Flexible support allows for the right amount of friction and retention when working on your firearms.

FIRMLY SECURE YOUR FIREARM

ADJUSTABLE 10" - 16" FOOTPRINT

FOLD & GO GUN CLEANING

SPEED STAND™

The Speed Stand is the most portable and convenient gun cleaning stand on the market. Use at home or at the range for quick modifications and cleaning of all your rifles and shotguns. The adjustable feet allow for use on uneven surfaces while the Gun Gripper yokes firmly secure your firearm. Speed Stand collapses down to a 10" footprint for easy storage or transportation while extending up to 16" to allow for the perfect fit for your rifles and shotguns.

NEW ITEM # AVSSFG | MSRP \$49.99



PORTABLE AND CONVENIENT

GUN GRIPPER™
FORM-FITTING RETENTION FOR FIREARMS.

PATENT PENDING

NEW

SPRING-LOADED DESIGN ALLOWS FOR A CONSISTENT CHAMBER SEALING.

BORE-FIT™ PRECISION



CONTOURED, INTERCHANGEABLE TIPS ALLOW FOR BETTER FIT AND PROTECTION.

PATENT PENDING

FITS CENTERFIRE RIFLES
.223 - .375 CAL



SMART-FIT® BORE GUIDE™

The Smart-Fit Bore Guide is the ultimate and first-of-its-kind spring-loaded, precision cleaning tool providing worry-free cleaning. The spring-loaded slider locks, providing a secure fitment and ensures a consistent chamber sealing with zero movement when running brushes and patches through your bore. An anodized aluminum tube is designed for lasting durability and the contoured, non-marring, bore-specific tips ensure damage-free, precise fitment on centerfire rifles from .223 - .375 caliber.

NEW ITEM # AVMBMG | MSRP \$24.99

NEW

ERGONOMIC GUN DETAILING TOOLS.



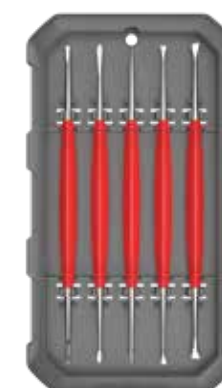
CLEAN THE CARBON OUT OF YOUR FIREARMS.

INNOVATIVE, ERGONOMIC TRIANGULAR HANDLES

ACCU-GRIP™ STEEL PICKS

Firearm owners have had no choice but to use subpar cleaning picks for years. Accu-Grip Steel Picks offer specifically-designed tips ensuring easy work on carbon build-up. The ergonomic design and stainless steel picks fit comfortably in your hand and offer superior control when cleaning hard-to-reach areas. Great for general firearm maintenance where plastic picks and cleaning solvents aren't enough. Throw away those toothpicks and use tools that were designed for the job.

NEW ITEM # AVAGSPS | MSRP \$39.99



NEW

NEXT-GEN PROFESSIONAL-GRADE BUILD TOOL.



PIN STARTER FITS 1/16" TO 7/32" 1.8MM TO 7.14MM

INTEGRATED MAGNETIC PIN STARTER

ARMORER'S MASTER HAMMER™

PATENT PENDING

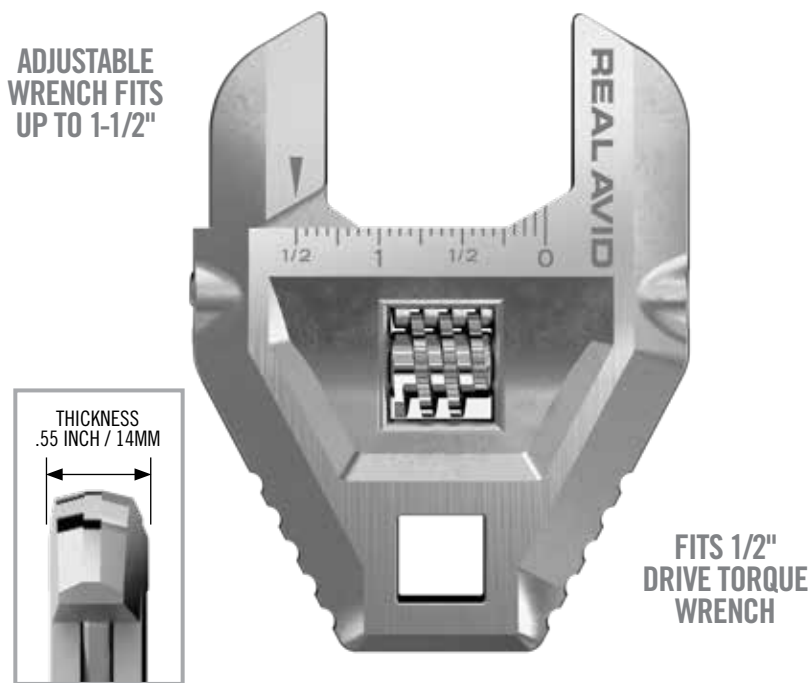
Tested and influenced by gunsmiths, the Armorer's Master Hammer is a 20-ounce, 9-1/2" long, forged hammer with full-length tang for a perfect balance and ideal ergonomics for precise control. A removable soft blow hammer head cover and interchangeable hammer heads with integrated storage makes it easy to install the correct hammer head for the application. Stored in the handle is a removable, stainless steel, magnetic pin starter to provide a helping hand when building or modifying firearms.

NEW ITEM # AVARMHAM | MSRP \$69.99

NEW

FIRST OF IT'S KIND, DESIGNED SPECIFICALLY FOR GUN NUTS.

ADJUSTABLE WRENCH FITS UP TO 1-1/2"



THICKNESS .55 INCH / 14MM

FITS 1/2" DRIVE TORQUE WRENCH

MASTER-FIT™ ARMORER'S CROWFOOT ADJUSTABLE WRENCH

The Master Fit Armorer's Crowfoot Adjustable Wrench was designed to provide a precise fit for gun parts of various tolerances. It's the first adjustable crowfoot wrench designed specifically for guns, so you can rest assured that you'll apply the appropriate torque needed for applications like AR platform muzzle devices and barrel nuts, without marring your investment.

NEW ITEM # AVMFAW | MSRP \$39.99

NEW



FITS AR10 AND ALL MIL-SPEC AR15 MAGWELLS

PATENTED

SMART-FIT® AR15 VISE BLOCK WITH SLEEVE FOR AR10™

The Smart-Fit AR15 Vise Block and Vise Block Sleeve for AR10, DPMS LR-308 and SR-25 is the best lower receiver vise block you'll ever use. Magwell sizes have a notoriously wide range of tolerances, and traditional blocks create wiggle and wobble on a gun vise. Smart-Fit's design solves that. It expands to fit all MIL-SPEC AR15s, AR10s and similar magwells, making loose, sloppy-fitting blocks a thing of the past.

NEW ITEM # AV1015SFVB | MSRP \$49.99



PATENT PENDING

SLEEVE FOR AR10 SLIDES OVER AR15 VISE BLOCK

NOT COMPATIBLE WITH AR10B

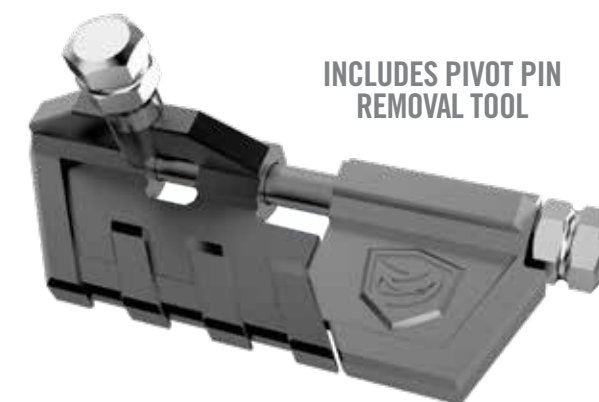
SMART-FIT® VISE BLOCK SLEEVE FOR AR10™

The Smart-Fit Vise Block Sleeve for AR10 was designed to slide over the Real Avid® Smart-Fit AR15 Vise Block to help eliminate wobble when working on large-frame rifles.

NEW ITEM # AVAR10SFVBS | MSRP \$19.99

NEW

CLICK. SNAP. DONE. FASTEST WAY TO INSTALL A PIVOT PIN.



INCLUDES PIVOT PIN REMOVAL TOOL

PATENT PENDING

AR15 PIVOT PIN TOOL-PRO™

Highly engineered to turn a frustrating task into a quick and painless operation. The larger, all-metal construction provides extreme durability, precise fitment and ease of use with all AR15s.

NEW ITEM # AVARPPPTPRO | MSRP \$29.99



PATENT PENDING

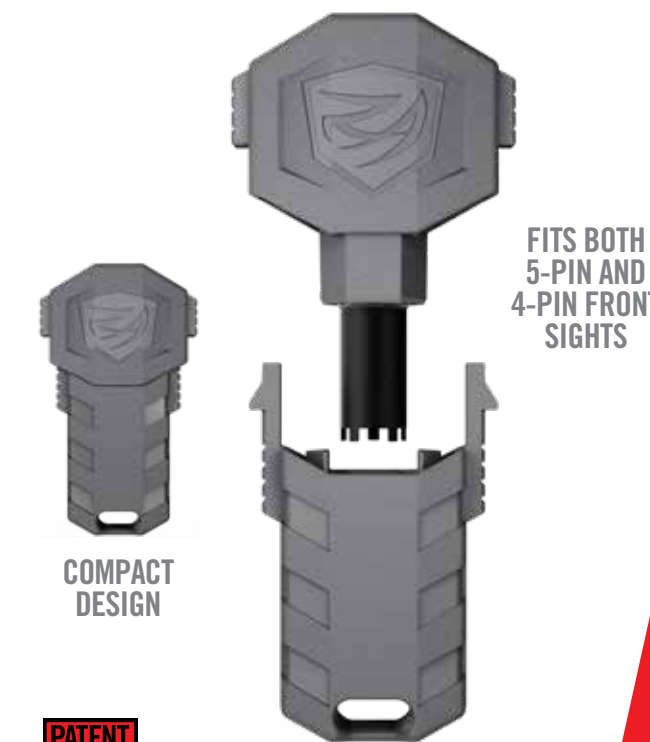
PIVOT PIN TOOL FOR AR10™

How can such a small task cause such frustration? The Pivot Pin Tool for AR10 gives you a third hand to turn the fumble-finger, pin-launching, pain-in-the-neck task into a quick breeze. 1-2-3-4 done, it's that simple. Easily install the AR10 Pivot Pin in less than 60 seconds.

NEW ITEM # AVAR10PPT | MSRP \$19.99

NEW

NEXT LEVEL A1 & A2 FRONT SIGHT ADJUSTMENT.



FITS BOTH 5-PIN AND 4-PIN FRONT SIGHTS

COMPACT DESIGN

PATENT PENDING

FRONT SIGHT ADJUSTER™ PRO

This smartly-designed tool makes front sight adjustments quick, easy and painless. The new longer, Front Sight Adjuster is paired with an ingenious T-Handle to create the perfect combo when working with both A1 & A2 front sights. The compact carry case makes storing and protecting your tool easier, whether in your range bag or hanging from a lanyard.

NEW ITEM # AVARFSAPRO | MSRP \$19.99

CLEAN BORES FASTER.

THE BORE-MAX® SPEED CLEAN SYSTEM™ IS PRECISELY SIZED FOR MAXIMUM BORE CONTACT.



INCLUDES SET OF 10 JAGS:
RIFLE
 .22 / .223 CAL / 5.56MM
 .243 CAL / 6MM
 .260 CAL / 6.5MM
 .270 CAL, .284 CAL / 7MM
 .30 CAL / 7.62MM
HANDGUN
 .22 CAL, .380 CAL / 9MM
 .40 CAL, .45 CAL

INCLUDES 500 SPEED PATCHES

INCLUDES SET OF 10 BRUSHES:
RIFLE
 .22 / .223 CAL / 5.56MM
 .243 CAL / 6MM
 .260 CAL / 6.5MM
 .270 CAL, .284 CAL / 7MM
 .30 CAL / 7.62MM
HANDGUN
 .22 CAL, .380 CAL / 9MM
 .40 CAL, .45 CAL

PATENT PENDING

BORE-MAX® SPEED JAGS™ & PATCHES MULTI-CAL PACK

The Bore-Max Speed Jag and Speed Jag Patches Multi-Cal Pack includes 10 popular pistol and rifle calibers in one convenient storage case. Speed Jags and Speed Jag Patches are sized for precise bore fitment and optimal cleaning. The 4X greater bore contact delivers a cleaner bore faster, allowing more time at the range.

NEW ITEM # AVBMJAGS | MSRP \$49.99

BORE-MAX® SPEED BRUSHES™ MULTI-CAL PACK

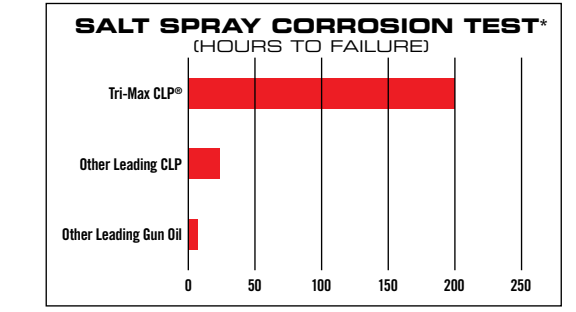
This Bore-Max Speed Brush pack includes 10 popular pistol and rifle calibers in one convenient storage case. Bore-Max Speed Brushes have twice the bristle density of standard brushes for maximum scrubbing power and faster results. Stiff, nickel-plated phosphor bronze bristles reduce chemical breakdown from solvents and extend the life of the brush.

NEW ITEM # AVBMSBS | MSRP \$39.99

ADVANCED TRIPLE-ACTION PERFORMANCE.

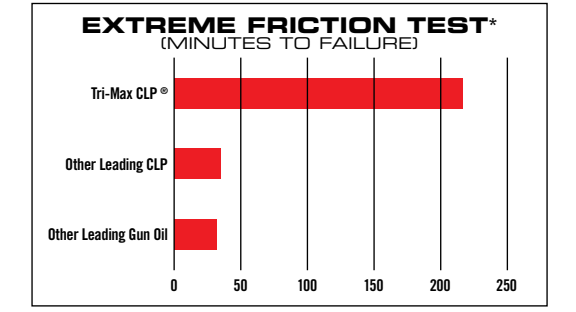


GUN PROTECTANT TO PREVENT RUST.



POWERFUL INHIBITORS DISPLACE MOISTURE, DELIVERING EXTENDED CORROSION PROTECTION.

LONG-LASTING LUBRICATING OIL.



ADVANCED ANTI-FRICTION ADDITIVES BOND TO METAL SURFACES FOR LONGER-LASTING LUBRICATION OF MOVING METAL PARTS.

CLEANS. LUBRICATES. PROTECTS.

TRI-MAX CLP®

Tri-Max CLP is a chemically-advanced triple threat to the most common enemies of gun performance – friction, corrosion & gunk. Advanced anti-friction additives bond to metal surfaces for longer lasting lubrication of moving gun parts, also creating a protective barrier against gunk, grime and burnt powder for easier cleaning of the action.

NEW TRI-MAX CLP – 4 OZ SQUEEZE BOTTLE
 NEW TRI-MAX CLP GUN WIPES – 60 CT CANISTER
 TRI-MAX CLP – 12 OZ CAN

ITEM # AVCLP4L
 ITEM # AVCLPW-C60
 ITEM # AVCLP12A

MSRP \$8.99
 MSRP \$16.99
 MSRP \$14.99

WE ARE MASTER GRADE.[®]

HIGH-PERFORMANCE TOOLS FOR GUNS

Real Avid[®] has redefined gun tools by delivering the Master Grade innovation, quality and durability relied upon by GUN DIYers, professional armorers and gunsmiths.



THE FIRST EVER TRUE GUN VISE.

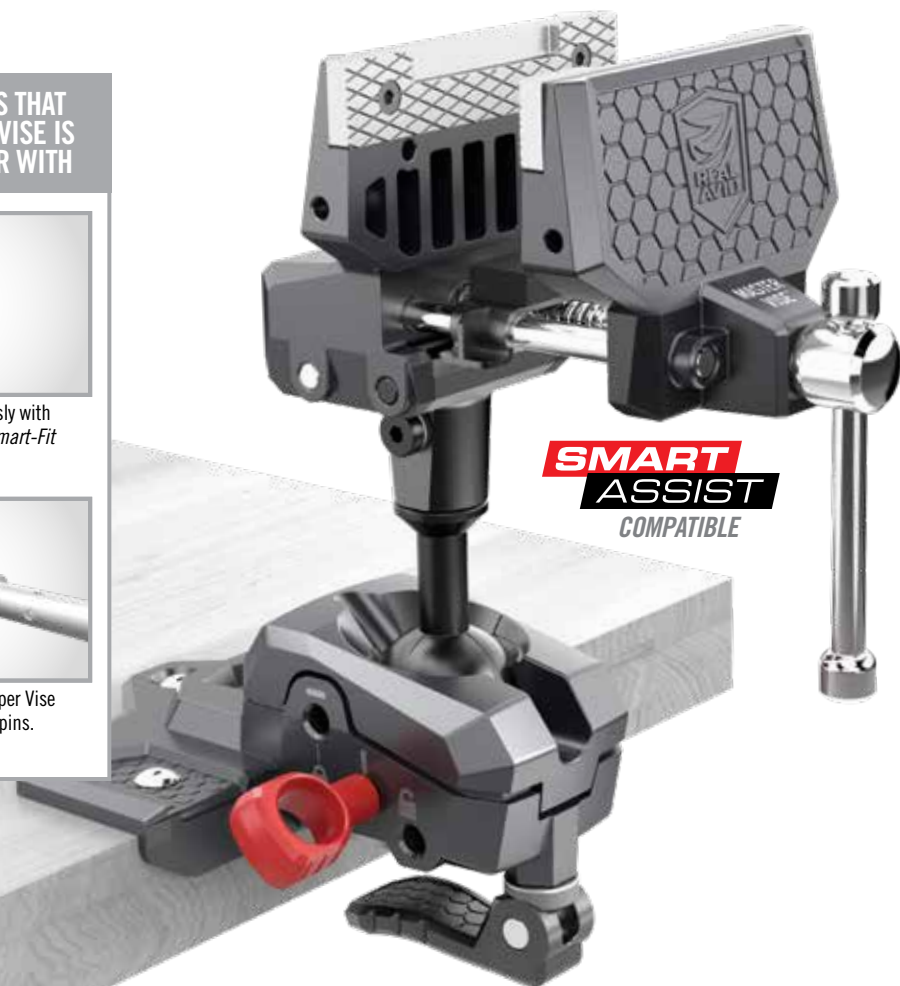
REAL AVID® TOOLS THAT THE MASTER GUN VISE IS DESIGNED TO PAIR WITH



Vise jaws integrate seamlessly with the Smart-Fit® Vise Block. (Smart-Fit sold separately)



Securely anchor Lug-Lok™ Upper Vise Block with GUN-FIT™ locking pins. (Lug-Lok sold separately)



Angle the lower receiver for fast and easy installation of bolt release pin.



Optimally position lower receiver to install buffer and buffer detent pin.



Ideal positioning for inverted maintenance and installations.



Position the barrel and upper receiver downward into the trash for bore and barrel cleaning.

MULTI-AXIS BENCH-MOUNT VISE WITH TORQ-LOK™

MASTER GUN VISE®

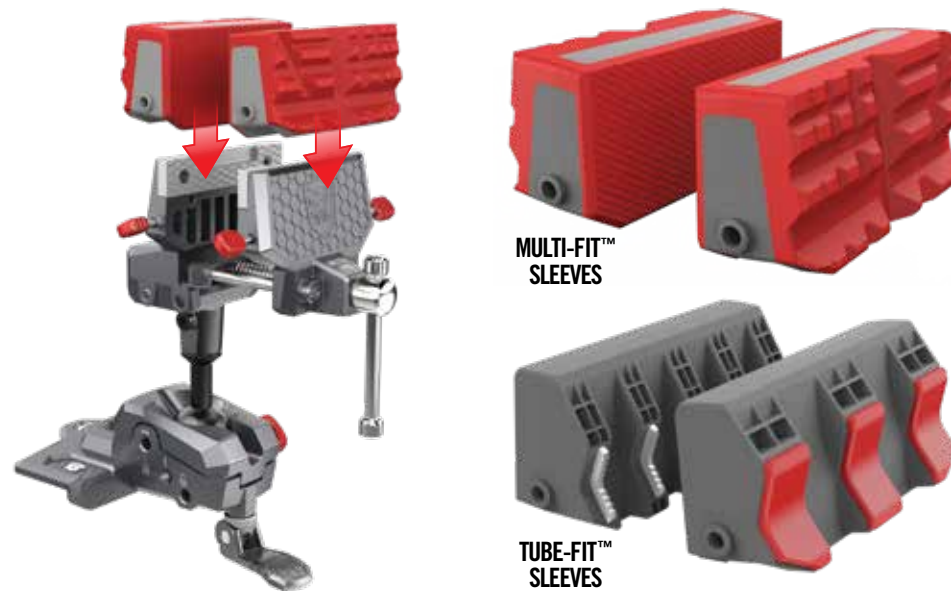
PATENTED

The first real bench vise made exclusively for guns and gun tools. Whether you're building and customizing, repairing and cleaning or mounting scopes and accessories, this vise improves every part of the GUN DIY® experience. Quickly reposition your gun to any orientation without ever removing it from the vise. Insert the Torq-Lok™ pin for applying heavy force. Use the removable and reversible Gun-Fit™ jaw sleeves for a specific gun grip or turn the leveling knob for simple scope mounting and leveling. Build. Customize. Repair. Mount. Clean... All hail the king.

ITEM # AVARAMV | MSRP \$299.99

NEW

UPGRADE VISE JAWS FOR SPECIFIC JOBS.



MULTI-FIT™ SLEEVES

TUBE-FIT™ SLEEVES

REVERSIBLE JAW SLEEVES.

SMART-JAWS™ FOR MASTER GUN VISE®

PATENT PENDING

Different jobs require a different gripping surface for your vise. Upgrade your Master Gun Vise with the new Smart-Jaws Multi-Fit Sleeves for most long guns, pistols, barrels and guide rods. These non-marring thermoplastic rubber jaws work on all sizes and shapes of guns and parts. For cylindrical objects like suppressors, PVC, cast-iron pipe and all types of tubing, upgrade to the new Smart-Jaws Tube-Fit Sleeves. The non-marring thermoplastic rubber side is great for suppressors and barrels. Use the hard-gripping metal side for tough jobs like cast-iron pipe for the ultimate grip.

NEW SMART-JAWS MULTI-FIT SLEEVES FOR MASTER GUN VISE
NEW SMART-JAWS TUBE-FIT SLEEVES FOR MASTER GUN VISE

ITEM # AVSFJMF
ITEM # AVSFJPF

MSRP \$34.99
MSRP \$44.99

NEW

PLUG & PLAY WORK ACCESSORIES FOR GUN DIY.®



180 LUMEN WORK LIGHT

CELL PHONE HOLDER

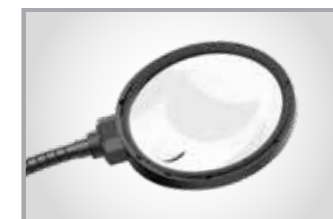
SMART ASSIST

5-INCH MAGNIFYING GLASS

WORKS ON THE REAL AVID® MASTER GUN VISE®, MASTER GUN WORKSTATION™ OR MOUNTS TO YOUR BENCH.



180 LUMEN WORK LIGHT WITH 3 SELECTABLE SETTINGS TO ILLUMINATE DARK, HARD-TO-SEE AREAS.



5-INCH MAGNIFYING GLASS, GREAT FOR MAGNIFYING DELICATE TASKS.



CELL PHONE HOLDER A HANDS-FREE WAY TO WATCH HOW-TO VIDEOS AND ANSWER CALLS.

SMART-ASSIST™ ACCESSORY SYSTEM

PATENT PENDING

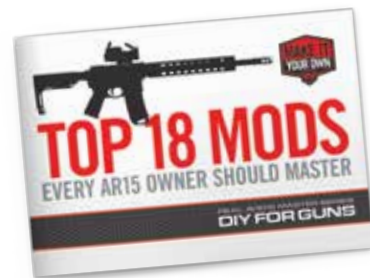
The smart and easy way to mount accessories to your work area. Simply attach the Smart-Assist Accessory System to your Master Gun Vise, Master Gun Workstation or benchtop for a better-working experience. The quick-connect locking system offers a one-handed flexible way to magnify or illuminate your Gun DIY projects while watching your favorite gunsmith.

NEW ITEM # AVMVACC | MSRP \$99.99

THE MOST CAPABLE SET OF MASTER GRADE® AR15 TOOLS EVER ASSEMBLED.



PATENTED



INCLUDED FREE
STEP-BY-STEP, DETAILED INSTRUCTIONS FOR THE TOP 18 AR15 MODIFICATIONS

- Accu-Punch® Hammer
- Master-Fit® Wrench Set
- Master-Fit Torque Wrench
- Lug-Lok™ Upper Vise Block
- Smart-Fit® AR15 Lower Vise Block
- AR15 Master Bench Block®
- Easy-Grip™ Handguard Tool
- AR15 Pivot Pin Tool
- AR15 Pin Punch Set
- Pin Alignment Tool
- Professional Tool Case

COMPREHENSIVE MASTER GRADE AR15 TOOL SET PLUS DETAILED INSTRUCTIONS FOR POPULAR GUN DIY® PROJECTS.

ARMORER'S MASTER KIT®-AR15 PRO

This upgraded kit is the most capable set of Master Grade AR15 tools ever assembled to build, repair or customize your gun, housed in a convenient, professional case. Featuring an extensive set of task-specific crowfoot wrenches for the most common AR15 assembly nuts and a heavy-duty armorer's torque wrench. Kit includes both upper and lower vise blocks to confidently secure your gun parts for superior control. A comprehensive set of AR15 pin punches and armorer's hammer pair with the 11-function bench block. To get you started, a step-by-step instructional book is included to guide you through the top 18 modifications made to AR15s. Upgrade to Master Grade®!

ITEM # AVAMKPRO | MSRP \$479.99

THE #1 SELLING ARMORER'S KIT.

- Armorer's Master Wrench® with Replacement Hammer Heads
- Lug-Lok™ Upper Vise Block
- Smart-Fit® AR15 Lower Vise Block
- AR15 Master Bench Block®
- Torque Wrench
- Easy-Grip™ Handguard Tool
- AR15 Pivot Pin Tool
- AR15 Pivot Lock
- AR15 Pin Punch Set
- Pin Alignment Tool
- Accu-Grip™ Picks
- Bore Illuminator/Safety Flag
- Front Sight Adjuster Tool
- Professional Tool Case



PATENTED



INCLUDED FREE
STEP-BY-STEP, DETAILED INSTRUCTIONS FOR THE TOP 18 AR15 MODIFICATIONS

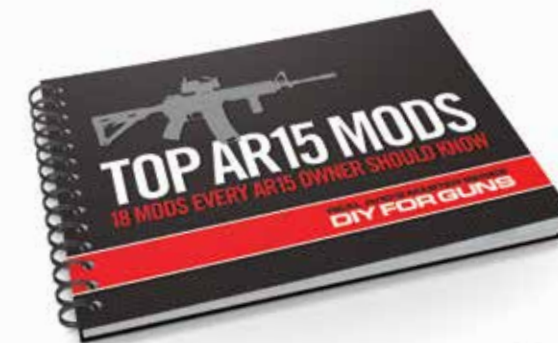
ADVANCED MASTER GRADE® TOOLS PLUS DETAILED GUN DIY® INSTRUCTIONS TO CUSTOMIZE YOUR AR15.

ARMORER'S MASTER KIT®-AR15

This kit of Master Grade Tools and how-to information equips you to confidently tackle everything from building your own gun from the ground up to customizing or modifying an existing gun. With better tolerances, materials and expanded capability, every tool is carefully designed to make each job as simple and easy to execute as possible. Housed in a professional tool case and equipped with step-by-step instructions, you will be able to work smarter and create better guns regardless of your experience level.

ITEM # AVAR15AMK | MSRP \$279.99

“HOW-TO” FOR GUNS MADE SIMPLE.



STEP-BY-STEP, DETAILED INSTRUCTIONS FOR THE TOP 18 AR15 MODIFICATIONS



18 MODS EVERY AR15 OWNER SHOULD KNOW



TOP AR15 MODS

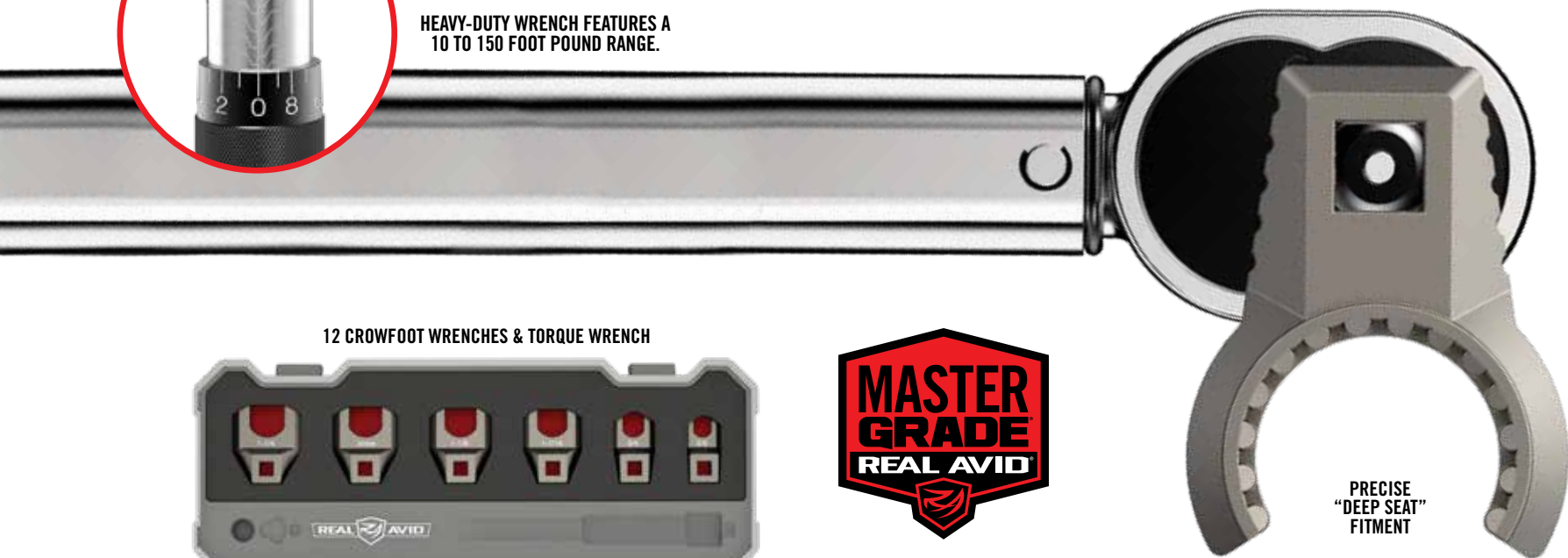
To serve the huge base of AR15 owners who are fueling the growth of aftermarket accessories, we created a master Gun DIY® instruction manual. It's packed with easy-to-follow, photo illustrated, step-by-step, how-to-do-it directions for the 18 most popular modifications for AR15s. This authoritative book gives users the confidence and know-how to tackle everything from a simple sight install to the more challenging changing out of a barrel...and everything in between.

ITEM # AVTPOMODS | MSRP \$29.99

OBSOLETE PRETENDERS AND ESTABLISHES THE NEW STANDARD FOR ARMORER'S TOOLS.



HEAVY-DUTY WRENCH FEATURES A 10 TO 150 FOOT POUND RANGE.



SOLID NUT-GRIPPING STRENGTH AND ENHANCED NO-SLIP CONTROL



TITANIUM-COATED STAINLESS STEEL CONSTRUCTION

PRECISE "DEEP SEAT" FITMENT

WORLD'S FIRST PROFESSIONAL-GRADE CROWFOOT ARMORER WRENCHES.

MASTER-FIT® 13-PIECE AR15 CROWFOOT WRENCH SET

The most comprehensive all-in-one AR15 Armorer's Torque Wrench Kit ever assembled. Master-Fit single-purpose crowfoot wrenches are made specifically for the job. Specialized for precise fitment and manipulation of MIL-SPEC and free-float barrel nuts, muzzle devices and castle nuts. Titanium-coated stainless steel construction provides tight tolerances for solid nut-gripping strength and enhanced no-slip tool control. Paired with the heavy-duty Master-Fit Torque Wrench, it takes Gun DIY® building to a new level of Master Grade quality and precision. It's time to raise your Gun Tool™ expectations and Upgrade to Master Grade®!

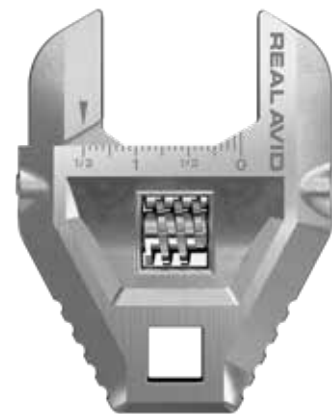
ITEM # AVMF13WS | MSRP \$299.99



ORGANIZED AND PROFESSIONAL SECURE TOOL STORAGE



NEW



MASTER-FIT® ARMORER'S CROWFOOT ADJUSTABLE WRENCH

The Master Fit Armorer's Crowfoot Adjustable Wrench was designed to provide a precise fit for gun parts of various tolerances. It's the first adjustable crowfoot wrench designed specifically for guns, so you can rest assured that you'll apply the appropriate torque needed for applications like AR platform muzzle devices and barrel nuts, without marring your investment.

NEW ITEM # AVMFAW | MSRP \$39.99



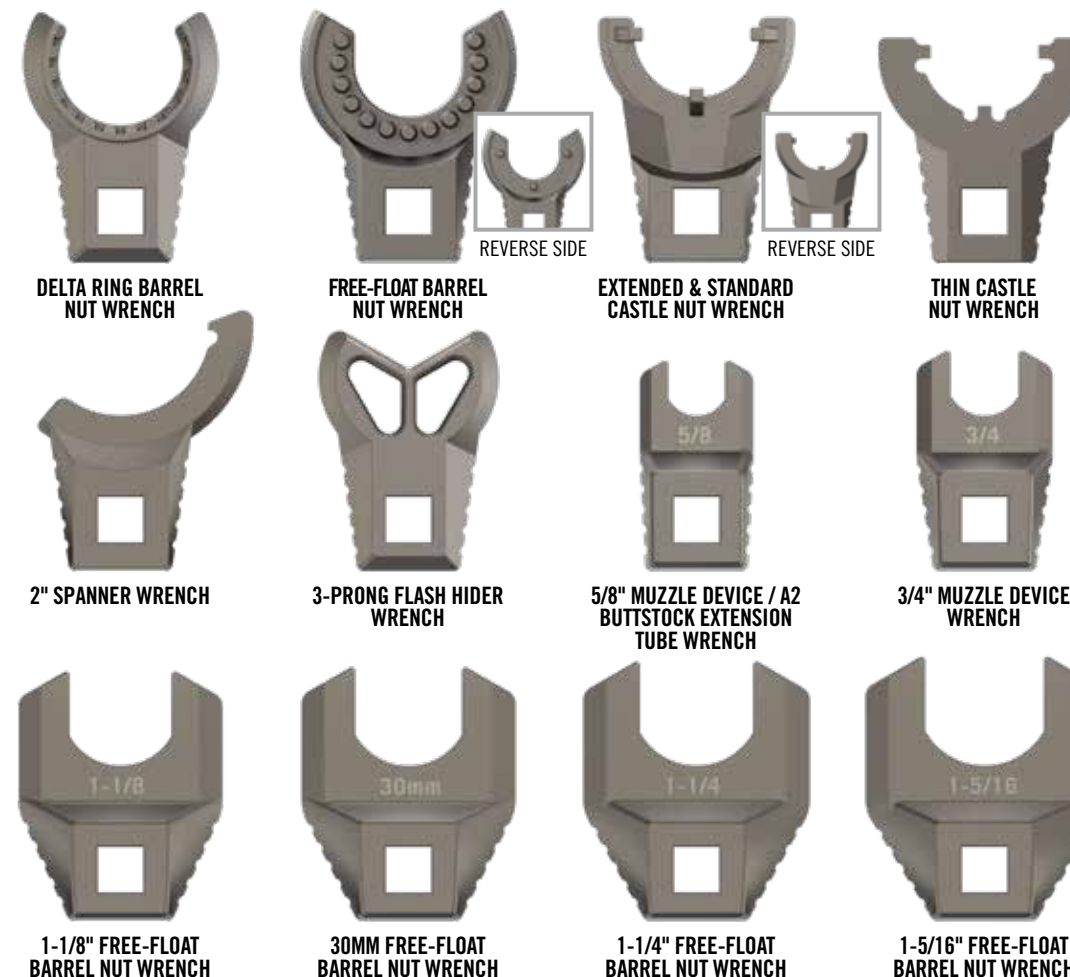
MASTER GRADE® A2/AR15 WRENCHES & TORQUE WRENCH

MASTER-FIT 5-PIECE A2 CROWFOOT WRENCH SET

This Master-Fit crowfoot wrench set is specialized for precise fitment and manipulation of A2 barrel nuts, buttstocks, muzzle devices and castle nuts. Titanium-coated stainless steel construction provide tight tolerances for solid nut gripping strength and enhanced no-slip fitment. Paired with the heavy-duty Master-Fit Torque Wrench, it takes Gun DIY® building to a new level of Master Grade quality and precision.

ITEM # AVMF5WS | MSRP \$149.99

SPECIALIZED WRENCHES FIT MOST COMMON AR15 ASSEMBLY NUT SIZES.



MASTER GRADE AR15 CROWFOOT ARMORER'S WRENCHES

MASTER-FIT WRENCH HEADS

Now you can say, "I've got a wrench for that!" No more rigging and adapting generic wrenches to complete your builds. Master-Fit 1/2" Drive Crowfoot Wrenches are purpose built and specialized for precise fitment to confidently deliver torque to the most common MIL-SPEC assembly nuts. Titanium-coated stainless steel construction provides tight tolerances for solid nut-gripping strength and enhanced no-slip tool control.

DELTA RING BARREL NUT WRENCH	ITEM # AVMFDRBNW	MSRP \$29.99
FREE-FLOAT BARREL NUT WRENCH	ITEM # AVMFFBWNW	MSRP \$29.99
EXTENDED & STANDARD CASTLE NUT WRENCH	ITEM # AVMFESCNW	MSRP \$29.99
THIN CASTLE NUT WRENCH	ITEM # AVMFTCNW	MSRP \$29.99
2" SPANNER WRENCH	ITEM # AVMF2SW	MSRP \$29.99
3-PRONG FLASH HIDER WRENCH	ITEM # AVMF3PFHW	MSRP \$29.99
5/8" MUZZLE DEVICE / A2 BUTTSTOCK EXTENSION TUBE WRENCH	ITEM # AVMF58MDW	MSRP \$29.99
3/4" MUZZLE DEVICE WRENCH	ITEM # AVMF34MDW	MSRP \$29.99
1-1/16" FREE-FLOAT BARREL NUT WRENCH	ITEM # AVMF1116BNW	MSRP \$29.99
1-1/8" FREE-FLOAT BARREL NUT WRENCH	ITEM # AVMF118BNW	MSRP \$29.99
30MM FREE-FLOAT BARREL NUT WRENCH	ITEM # AVMF30BNW	MSRP \$29.99
1-1/4" FREE-FLOAT BARREL NUT WRENCH	ITEM # AVMF114BNW	MSRP \$29.99
1-5/16" FREE-FLOAT BARREL NUT WRENCH	ITEM # AVMF1516BNW	MSRP \$29.99
NEW MASTER-FIT CROWFOOT ADJUSTABLE WRENCH	ITEM # AVMFAW	MSRP \$39.99



Folding parts box organizes small gun parts like pins, clips and springs. Designed to securely snap in place on top of parts and tool storage tray.

UPGRADE YOUR GUN BUILDING EXPERIENCE.



OVERSIZED, PROTECTIVE MAT WITH PARTS AND TOOL ORGANIZATION

MASTER ARMORER'S MAT®

The Master Armorer's Mat is the ultimate solution for your gun building projects. This massive mat will protect your large gun parts while the added organization trays will hold every medium and small component, making sure you don't lose any parts in the process. This isn't just a mat, it's the future of gun building.

ITEM # AVMAM-AR | MSRP \$44.99

NEW



PIN STARTER FITS 1/16" TO 7/32" 1.8MM TO 7.14MM



INTEGRATED MAGNETIC PIN STARTER

PATENT PENDING

NEXT-GEN PROFESSIONAL-GRADE BUILD TOOL

ARMORER'S MASTER HAMMER™

Tested and influenced by gunsmiths, the Armorer's Master Hammer offers a 20-ounce, 9-1/2" long, forged hammer with full-length tang for a perfect balance and ideal ergonomics for precise control. A removable soft-blow hammer head cover and interchangeable hammer heads with integrated storage make it easy to install the correct hammer head for the application. Stored in the handle is a removable, stainless steel, magnetic pin starter to provide a helping hand when building or modifying firearms.

NEW ITEM # AVARMHAM | MSRP \$69.99

FREE-FLOAT BARREL NUT WRENCH (FEATURES 10 POSTS FOR BEST IN CLASS STRENGTH)



REVERSE SIDE OF MIL-SPEC BARREL NUT WRENCH



ERGONOMIC DESIGN LETS YOU APPLY TORQUE WITHOUT HURTING YOUR HAND

PATENT PENDING

MASTER GRADE® AR15 BUILD TOOL FOR GUN DIY®

ARMORER'S MASTER WRENCH®

The Real Avid® Armorer's Master Wrench features best-in-class strength, precision fitment and ergonomic intelligence. Wrenches seat squarely for a no-slip fit on stubborn barrel nuts, castle nuts, muzzle brakes and fixed stock receiver extensions. Industry-first torque wrench attachment location is optimally positioned to provide consistent torque poundage for all nuts. As a bonus, interchangeable hammer heads make the Armorer's Master Wrench a "Master" hammer as well!

ITEM # AVAR15AMW | MSRP \$79.99

NEW



PATENTED

EXPANDS TO SECURELY FIT AR MAGWELLS.

SMART-FIT® AR15 VISE BLOCK WITH SLEEVE FOR AR10**

The Smart-Fit AR15 Vise Block and Vise Block Sleeve for AR10, DPMS LR-308 and SR-25 is the best lower receiver vise block you'll ever use. Magwell sizes have a notoriously wide range of tolerances, and traditional blocks create wiggle and wobble on a gun vise. Smart-Fit's design solves that. It expands to fit all MIL-SPEC AR15s, AR10s and similar magwells, making loose, sloppy-fitting blocks a thing of the past.

NEW ITEM # AV1015SFVB | MSRP \$49.99

SMART-FIT VISE BLOCK SLEEVE FOR AR10**

The Smart-Fit Vise Block Sleeve for AR10 was designed to slide over the Real Avid® Smart-Fit AR15 Vise Block to help eliminate wobble when working on large frame rifles.

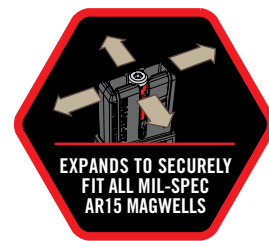
NEW ITEM # AVAR10SFVBS | MSRP \$19.99

NOT COMPATIBLE WITH AR10B



AR10 SLEEVE SLIDES OVER AR15 VISE BLOCK

PATENT PENDING



EXPANDS TO SECURELY FIT ALL MIL-SPEC AR15 MAGWELLS

LOWER RECEIVER BLOCK THAT ADJUSTS FOR A ROCK SOLID FIT



PATENTED

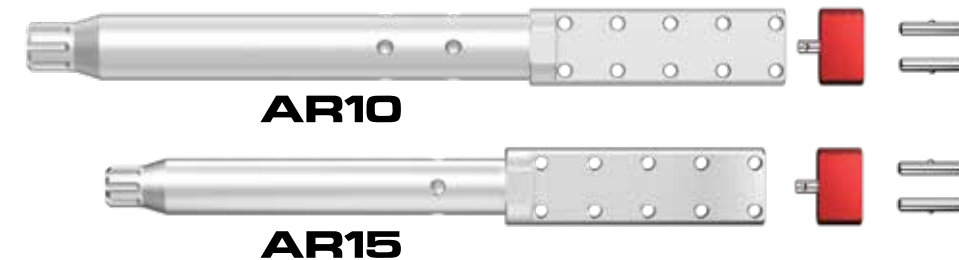


PLUS AR15 PIVOT LOCK SECURELY HOLDS UPPER OPEN FOR CLEANING

SMART-FIT AR15 VISE BLOCK

The Smart-Fit AR15 Vise Block is the last lower vise block you'll ever need. The patented block expands to fit any .223 cal / 5.56mm AR15 magwell, making loose, sloppy fitting blocks a thing of the past. Insert the block into the magazine well and simply rotate the adjustment handle to tighten the fit.

ITEM # AVAR15SFVB | MSRP \$39.99



AR10

AR15

LUG-LOK™ UPPER VISE BLOCK

PATENTED

We designed an upper block that leverages the strongest part of the gun – the barrel lugs inside the star chamber. The Lug-Lok is precision machined and precisely fits into all Mil-Spec uppers. It mates perfectly with the barrel lugs, while allowing you to rotate the upper to be able to work on different sides.

LUG-LOK UPPER VISE BLOCK - AR15
LUG-LOK UPPER VISE BLOCK - AR10

ITEM # AVAR15LLVB
ITEM # AVAR10LLVB

MSRP \$79.99
MSRP \$119.99



PATENTED

THE MOST COMPREHENSIVE AR15 BENCH BLOCK, EVER.

T-HANDLE COMPRESSES EJECTOR TO EASILY REMOVE EJECTOR PIN

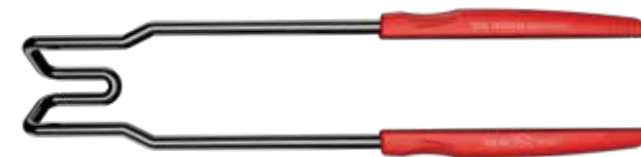
HOLDS 5 KEY GUN PARTS TO EASILY REMOVE & INSTALL PINS

AR15 MASTER BENCH BLOCK®

The AR15 Master Bench Block holds 5 key AR15 components in 8 different orientations to allow you to knock out and install up to 14 different pins. Clear, engraved labels tell you what component fits where, and what size punch you'll need to knock out the pins. The biggest innovation is mounted inside – four strong magnets immediately grasp any pin you punch out and hold it securely to the block.

ITEM # AVAR15MBB | MSRP \$39.99

ERGONOMIC AR15 DELTA RING RETRACTOR



EASY-GRIP™ HANDGUARD REMOVAL TOOL

The name says it all. Ergonomic grips make one-handed changing of handguards on AR15s and M16s a breeze. Simply hook to the empty magwell, place the contoured rods around the Delta Ring, squeeze the handles and pull down to compress the Delta Ring. Remove the handguard with your free hand. It's that simple.

ITEM # AVEGHRT | MSRP \$19.99

DESIGNED FROM THE GROUND UP TO WORK BETTER ON GUNS.

GUNSMITHING PIN PUNCH SETS WITH PIN ALIGNMENT TOOL.

ACCU-PUNCH® HAMMER & PIN PUNCH SETS

Gunsmithing hammers and punches are core tools needed to modify or disassemble firearms. Most sets available today are generic, repurposed hardware sets. Accu-Punch Hammer & Punch sets are designed from the ground up to work better on guns. The hammer features an ergonomic grip and perfectly-balanced weight to give both precise control for tapping tiny pins and optimal force for those that need a little "persuasion". Punches are made of hardened steel with a nickel plating to resist corrosion as well as hex-shaped handles and rubber O-rings for precise control. The proprietary Pin Alignment Tool makes aligning and starting tiny pins both easy and accurate. These professional-grade gunsmithing sets are organized in an uber-tough stand-up case.



INCLUDES EVERY STANDARD & ROLL PIN PUNCH FOR GUNS

- Standard pin steel punches
- 1/16", 5/64", 3/32", 1/8", 9/64", 5/32", 3/16", 7/32", 1/4", 9/32"
- Roll pin punches 1/16", 5/64", 3/32", 1/8", 9/64", 5/32", 3/16", 7/32", 1/4", 9/32"
- Brass pin punches 1/8", 9/64", 5/32", 3/16", 7/32", 1/4", 9/32"
- 3/32" Bolt catch roll pin starter & roll pin punch
- Staking punch
- 5/16" Nylon finishing punch
- Pin Alignment Tool

ACCU-PUNCH® MASTER SET

Gunsmithing punches are core tools needed to modify or disassemble firearms. Accu-Punch Master Set with standard, roll pin, brass and specialty punches is designed from the ground up to work better with firearms. Non-brass punches are made of hardened steel with a nickel plating to resist corrosion. All punches have hex-shaped handles and rubber O-rings for precise control. The proprietary Pin Alignment Tool makes aligning and starting tiny pins both easy and accurate.

ITEM # AVMAPS | MSRP \$99.99

SPECIALIZED AR15 BOLT CATCH PIN STARTER & PIN PUNCH SET

BOLT CATCH PUNCH SET

Two punches, one simple solution to the difficult-to-access bolt catch retaining pin. The orientation of the pin, close proximity to the lower receiver, distance required to safely punch a pin and the difficulty in getting the pin started makes it a real pain with standard punches.

ITEM # AVBCPS | MSRP \$14.99



NON-SLIP, MAGNETIC UNIVERSAL PIN PUNCH BLOCK

SMART BENCH BLOCK®

Made from engineering-grade resin, this intelligently-designed gunsmith block helps protect gun finishes. The non-slip outer ring keeps the block from sliding on tables or benches while driving pins. An embedded magnet captures and holds driven pins so that they won't roll away. A rounded slot seats barrels and gun slides for increased stability. Designed to work with most guns.

ITEM # AVSBBLK | MSRP \$14.99

NEW

THE FASTEST WAY TO INSTALL A PIVOT PIN.



PIVOT PIN TOOL FOR AR10**

PATENT PENDING

How can such a small task cause such frustration? The AR10 Pivot Pin Tool gives you a third hand to turn the fumble-finger, pin-launching, pain-in-the-neck task into a quick breeze. 1-2-3-4 done, it's that simple. Easily install the AR10 Pivot Pin in less than 60 seconds.

NEW ITEM # AVAR10PPT | MSRP \$19.99



INCLUDES PIN PUNCH REMOVAL TOOL

AR15 PIVOT PIN TOOL-PRO™

PATENT PENDING

Highly engineered to turn a frustrating task into a quick and painless operation. The larger, all-metal construction provides extreme durability, precise fitment and ease of use with all AR15s.

NEW ITEM # AVARPPPTPRO | MSRP \$29.99



AR15 PIVOT PIN TOOL

How can such a small task cause such frustration? This brilliant little tool gives you an extra hand to turn the fumble-finger, pin-launching, pain-in-the-neck task into a quick breeze. 1-2-3-4 done, it's that simple.

ITEM # AVAR15PPT | MSRP \$11.99



STANDARD PIN PUNCH SET

STANDARD

COMPLETE SET OF STANDARD-SIZED GUN PIN PUNCHES

- Gunsmithing hammer with rubberized, ergonomic grip
- 4 interchangeable hammer heads: rubber, brass, steel & nylon
- Pin Alignment Tool
- 1/16", 5/64", 3/32", 1/8", 9/64", 5/32", 3/16", 7/32", 1/4", 9/32" steel punches
- 5/16" Nylon finishing punch
- Stand-up case

STANDARD PIN PUNCH

ITEM # AVHPS | MSRP \$39.99



STANDARD BRASS & STEEL PIN PUNCH SET

BRASS & STEEL

COMPLETE SET OF STANDARD-SIZED GUN PIN PUNCHES

- Gunsmithing hammer with rubberized, ergonomic grip
- 4 interchangeable hammer heads: rubber, brass, steel & nylon
- Pin Alignment Tool
- 1/16", 5/64", 3/32" steel punches and 1/8", 9/64", 5/32", 3/16", 7/32", 1/4", 9/32" brass punches
- 5/16" Nylon finishing punch
- Stand-up case

STANDARD PIN PUNCH

ITEM # AVHPS-B | MSRP \$49.99



ROLL PIN PUNCH SET

ROLL PIN

INCLUDES ALL STANDARD-SIZED ROLL PIN PUNCHES NEEDED FOR GUNS

- Gunsmithing hammer with rubberized, ergonomic grip
- 4 interchangeable hammer heads: rubber, brass, steel & nylon
- Pin Alignment Tool
- Roll pins 1/16", 5/64", 3/32", 1/8", 9/64", 5/32", 3/16", 7/32", 1/4"
- 5/16" Nylon finishing punch
- Stand-up case

ROLL PIN PUNCH

ITEM # AVHPS-RP | MSRP \$39.99



STANDARD & ROLL PIN PUNCH SET FOR AR15

AR15

INCLUDES EVERY STANDARD & ROLL PIN PUNCH FOR AR15

- Gunsmithing hammer with rubberized, ergonomic grip
- 4 interchangeable hammer heads: rubber, brass, steel & nylon
- Pin Alignment Tool
- Standard pin punch 3/32", 1/8", 5/32"
- Roll pin punch 1/16", 5/64", 1/8"
- Staking punch
- 3/32" Bolt catch roll pin starter & roll pin punch
- 5/16" Nylon finishing punch
- Stand-up case

ROLL PIN PUNCH

STANDARD PIN PUNCH

ITEM # AVHPS-AR | MSRP \$39.99

PRECISION TORQUE DRIVER FOR FIREARMS.



EASY-TO-SELECT
PRECISE 1 INCH-LB
INCREMENTS ELIMINATES
THE GUESSWORK OF
OTHER WRENCHES



INCLUDES PREMIUM
HIGH-DENSITY FOAM
STORAGE CASE

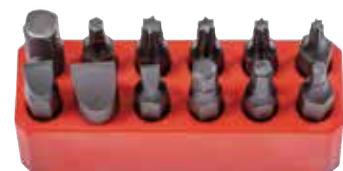
MASTER GRADE 10-70 INCH-LB TORQUE DRIVER

SMART-TORQ®

The most precise and technically-advanced torque driver for guns. Specifically developed for optics mounting and gun builds. Discrete inch-pound increment settings provide spot-on torque adjustments. Comfortable ergonomic grip, palm-friendly spin top and Force Assist make precise torque adjustments easy. Functionally-intuitive torque setting with visual, tactile and audible feedback provides assurance. To get you started, Smart-Torq comes with 12 of the most commonly used scope mounting and gun bits. Never over torque a scope ring again!

ITEM # AVSTORQ | MSRP \$79.99

BIT SET FITS MOST
OPTICS MOUNTING RING
AND BASE BRANDS



INCLUDED BITS

- T10
- T15
- T20
- T25
- 3mm Hex
- 5/32 Hex
- 3/16 Hex
- 7/64 Hex
- 90-6 Flat
- 38-4 Flat
- 60-5 Flat
- Square drive adapter bit

FORCE ASSIST™ DRIVER

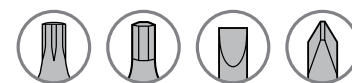


FORCE ASSIST TECHNOLOGY HELPS TO PRECISELY TIGHTEN SCREWS

The ergonomic, rubberized grip partnered with Force Assist makes tightening screws and fasteners to precise torque settings accurate and easy.

ADVANCED GUNSMITHING DRIVER WITH FORCE ASSIST.™

87 STANDARD & METRIC
BLACK OXIDE-COATED SQUARE CUT
HOLLOW GROUND GUN BITS



PALM-FRIENDLY SPIN
TOP, COMFORTABLE
ERGONOMIC GRIP



SMALL DRIVER FOR TIGHT
SPACES. DOUBLES AS
FORCE ASSIST LEVER

FORCE ASSIST TECHNOLOGY
HELPS LOOSEN STUCK
SCREWS AND PRECISELY
TIGHTEN SCREWS



90-PIECE GUNSMITHING KIT WITH FORCE ASSIST™ LED BIT DRIVER

SMART DRIVE® 90

Smart Drive 90 is an advanced gunsmithing driver set. The main driver features a magnetic bit holder, rubber grip texture, jewelers spin top & 360° LED light. It partners with the small "close quarters" driver to create Force Assist. Force Assist is a proprietary system that allows users to loosen frozen-in-place screws as well as precisely tighten screws.

ITEM # AVSD90 | MSRP \$99.99



360° LIGHT
ILLUMINATES DARK, HARD-TO-SEE SCREWS



ONE CLICK
EQUALS
1 INCH-LB
10 TO 70 IN-LBS

PATENTED

PRECISION MOUNT
OPTICS, GUN STOCKS
AND ACCESSORIES

MASTER GRADE® GUNSMITHING DRIVER & BIT SET.

SMART-TORQ® & DRIVER MASTER SET

This intelligently-designed Master Set includes both the Smart-Torq and Smart Drive gunsmithing drivers. With ergonomic comfort grips, both drivers fully integrate with the multi-purpose Force Assist driver. Smart-Torq features easy-to-see and set 1 in-lb increments. For non-torque applications, the Smart Drive will be your go-to for not only gunsmithing work, but any tasks around the house or shop. Smart Drive has a free-spinning cap for applying additional downward pressure and an LED light for dark spaces. Completing the set are 83 standard and metric black oxide-coated gun bits. Gun bits are hollow ground and square cut for precise fitment.

ITEM # AVSTDMS | MSRP \$149.99

THE MOST MODERN, ACCURATE & SIMPLE WAY TO MOUNT SCOPES.

MOUNT. LEVEL. SIGHT.

1. SET THE BASE – LEVEL THE RETICLE
2. TORQUE DOWN SCOPE RINGS
3. BORE SIGHT – GET ON PAPER FAST



MASTER GRADE® SCOPE MOUNTING & BORE SIGHTING KIT

PATENTED

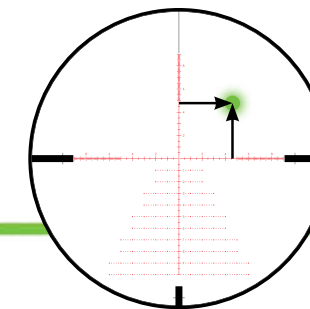
Properly mounting a new scope requires specific tasks and tools to do the job right. First and foremost is setting your reticle level. Secondly, applying the correct torque to the ring and base screws to stabilize the mount without crushing the tube. Lastly, is sighting in and getting on paper fast to save time and ammo. This kit contains the Best Tools for the Job with the Level-Right Pro, Smart-Torq and Viz-Max Bore Sighter. Upgrade to Master Grade®. Mount. Level. Sight.

ITEM # AVMSMK | MSRP \$199.99



GET ON TARGET FASTER!

MASTER GRADE® LASER BORE SIGHTER



Magnetically attach Viz-Max Bore Sighter to end of bore. Use scope turrets to align crosshairs with projected beam on target. Remove and begin shooting.

PATENT PENDING



PREMIUM HIGH-DENSITY FOAM CASE

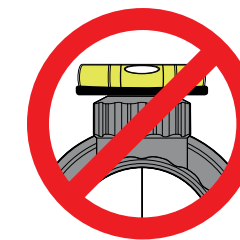
SAVE TIME AND AMMO

VIZ-MAX BORE SIGHTER®

Viz-Max Bore Sighter is a revolutionary, yet uncomplicated next-generation instrument. No more fumbling with extra pieces and underpowered lasers to find your mark. Housed in the rugged and protective exoskeleton is a precision-machined, factory-calibrated green laser. The laser projects a powerful, perfect circle using the brightest daylight visible color in the spectrum. It provides maximum visibility and quick acquisition. The bore attachment is fast and easy with the hold-fast neodymium magnet. Features 30-second auto-off functionality.

ITEM # AVVMB | MSRP \$129.99

MAXIMIZE ACCURACY AT ALL DISTANCES.



A LEVEL TURRET DOES NOT ENSURE A LEVEL RETICLE

MASTER GRADE PRECISION RETICLE LEVEL

DIRECTS LIGHT SOURCE THROUGH SCOPE AND PROJECTS RETICLE ONTO PRECISION ALIGNMENT GRID



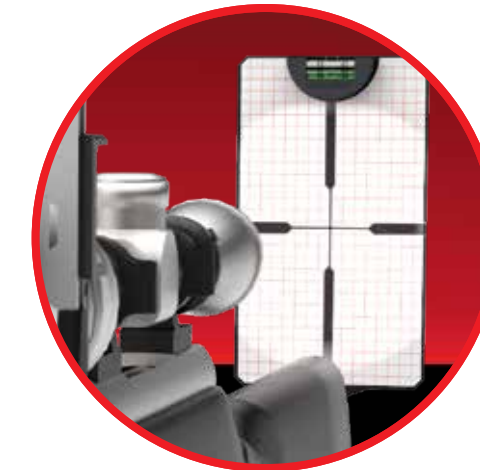
THE EASIEST, MOST ACCURATE WAY TO ENSURE YOUR SCOPE IS PROPERLY ALIGNED.

LEVEL-RIGHT® PRO

PATENT PENDING

Correctly mounting a scope so it's level to the gun's receiver is critical to getting maximum accuracy from your rifle. A level scope means that the reticle (crosshairs) will be perfectly aligned with the rifle bore. A level reticle is critical for long-range accuracy. Balancing small levels on scope turrets and gun receivers has been a commonly-accepted practice for years. Not only is this a clumsy process, it's wrong. The turret on most scopes is not perfectly aligned with the reticle, so even if your turret is level to the gun, your scope may not be. Level-Right Pro changes all that by simplifying scope alignment in 4 easy steps. Accurate and intuitive, this time saving instrument quickly aligns the actual scope reticle to the horizontal gun plane (regardless of turret alignment), which is key to the long-range accuracy of your rifle. Level-Right Pro helps you quickly and confidently mount a scope for maximum accuracy.

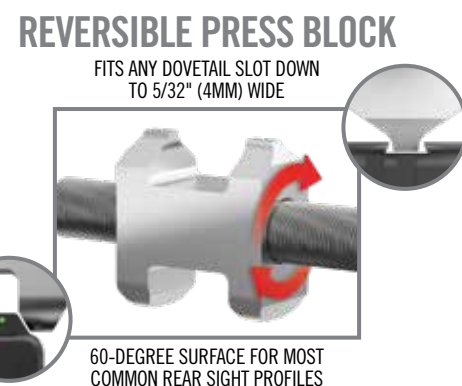
ITEM # AVLVR-P | MSRP \$69.99



KICKS LESSER PUSHERS TO THE BACK OF THE BENCH.



PRECISION-ENGINEERED SIGHT CHANGER



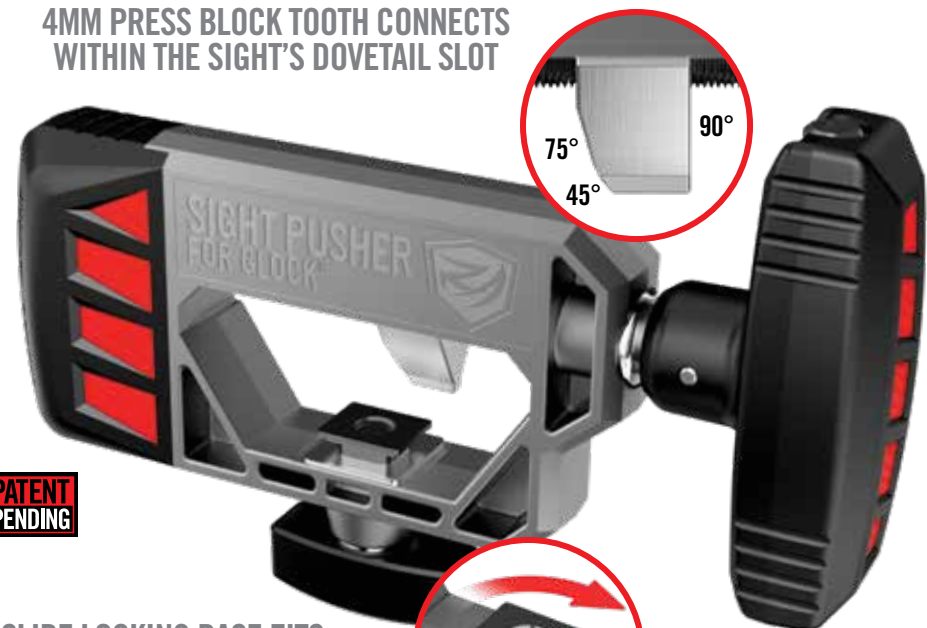
MASTER SIGHT PUSHER®

The Master Sight Pusher is a professional-grade tool that makes quick work of changing pistol sights while protecting both gun slides and the sights themselves. Heavy-duty, built to last and smartly designed to work on most modern pistol sights. The press block features multiple contact surfaces for almost all size and style of press-fit dovetail slots and sight profiles. Adjustable polymer contact surfaces securely hold both 1911 and flat bottom pistol slide styles.

ITEM # AVMSP | MSRP \$149.99

EASILY AND SAFELY CHANGE PRESS-FIT SIGHTS ON GLOCKS.

4MM PRESS BLOCK TOOTH CONNECTS WITHIN THE SIGHT'S DOVETAIL SLOT



PATENT PENDING

SLIDE LOCKING BASE FITS SUBCOMPACT, COMPACT, STANDARD AND COMPETITION GLOCK SLIDES

SIGHT PUSHER FOR GLOCK®*

The Sight Pusher for Glock is a professional-grade tool that makes quick work of changing Glock pistol sights while protecting both gun slides and the sights themselves. Heavy-duty, built to last and smartly designed to work on all Glock models, factory and aftermarket Glock sights. The oversized ergonomic Easy Torque™ Handle partners with extra-fine drive threads to provide maximum force with minimal effort when removing and installing Glock sights. A specially-designed press block features multiple contact surfaces to accommodate all Glock sights while applying maximum force to the actual dovetail surface at the optimal leverage point. The slide locking base securely anchors all sizes of Glock slides into place.

ITEM # AVGLOCKSP | MSRP \$99.99



*DISCLAIMER: This product is not manufactured, authorized, endorsed, or warranted by GLOCK. GLOCK does not warrant or represent that this product is compatible with GLOCK pistols. "GLOCK" is a federally registered trademark of GLOCK, Inc. and is one of many trademarks owned by GLOCK, Inc. and GLOCK Ges.m.b.H. New Revo Brand Group, LLC, d/b/a Real Avid is not affiliated in any manner with, or otherwise endorsed by, GLOCK, Inc. or GLOCK Ges.m.b.H.

MULTI-TOOLS FOR GUNS. NOT CAMPING.

GUN-SPECIFIC MULTI-TOOLS

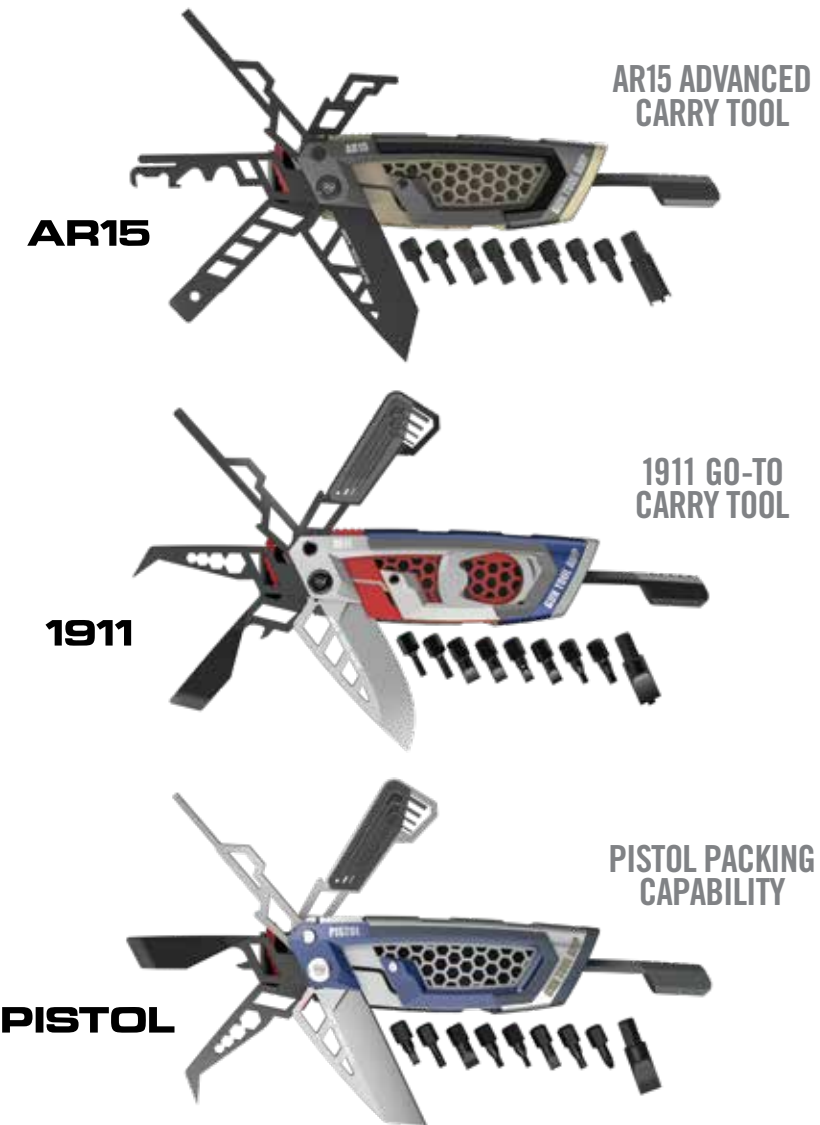
These aren't your grandfather's multi-tools. We've redefined the multi-tools category to meet the specific needs of modern guns and their owners. ARs, pistols, rifles, shotguns. Whatever you shoot, we have the tool you need to stay in the game.



THE GUN MULTI-TOOL™ TRANSFORMED.



FIRST-OF-ITS-KIND MULTI-TOOL AND HOLSTER COMBO PACKED WITH MISSION-CRITICAL CAPABILITY.



NEXT-GEN MULTI-TOOL SYSTEM

GUN TOOL AMP®

The gun multi-tool has been reimagined and the next generation has arrived. Gun Tool AMP is a completely new animal. Platform specific and specialized with transformer-like self-storing capability where the dual-purpose driver and bit set serve as a holster for the tool frame, encompassing the critical gun tool implements. Thanks to some out-of-the-box thinking, AMP redefines what a carry tool can be by eliminating old thinking and implementing new materials and technology that deliver on mission-critical needs while eliminating excess bulk that doesn't contribute to the cause.

GUN TOOL AMP - AR15	ITEM # AVGTAMP-AR	MSRP \$69.99
GUN TOOL AMP - 1911	ITEM # AVGTAMP-1911	MSRP \$69.99
GUN TOOL AMP - PISTOL	ITEM # AVGTAMP-P	MSRP \$69.99

CRITICAL-TASK CARRY TOOL.



GUN TOOL CORE®

Compact and fully capable, the Gun Tool CORE is the ideal tool for performing critical "keep shooting" tasks on your gun. Small and streamlined in stature, but big on solving the most commonly encountered problems, keeping you up and running in the field or at the range. Easy to carry with carabiner-like modularity, CORE easily secures to MOLLE straps or a belt. CORE is a must-have carry tool for serious shooters.

GUN TOOL CORE - SHOTGUN	ITEM # AVGTCOR-SG	MSRP \$39.99
GUN TOOL CORE - AR15	ITEM # AVGTCOR-AR	MSRP \$39.99

PATENT PENDING

THE SMARTEST, MOST CAPABLE MULTI-TOOLS FOR THE WORLD'S MOST POPULAR PLATFORM.

37-IN-1 TACTICAL GUN MULTI-TOOL

INCLUDES 12 BITS:

- 3/32" ALLEN®
- 7/64" ALLEN®
- 1/8" ALLEN®
- 9/64" ALLEN®
- 3/16" ALLEN®
- T10 TORX®
- T15 TORX®
- T20 TORX®
- #1 PHILLIPS®
- 3/16" FLAT
- 3/32" FLAT
- 1/4" FLAT

MOLLE-COMPATIBLE BALLISTIC NYLON SHEATH

A1 & A2 FRONT SIGHT ADJUSTER

SQUARE CUT HOLLOW GROUND

PATENTED

AR15 TOOL™

This beefy, folding X-frame tool is built specifically for the needs of AR15 owners who want to keep their gun in the fight. It equips users to quickly remove carbon from all 12 critical surfaces of the bolt carrier group, make repairs in the field or on the bench, reduce malfunctions, add or remove accessories, make sight adjustments and easily disassemble and reassemble their guns.

ITEM # AVAR15T | MSRP \$89.99

INCLUDES 9 BITS:

- 3/32" ALLEN®
- 7/64" ALLEN®
- 1/8" ALLEN®
- 9/64" ALLEN®
- 3/16" ALLEN®
- #1 PHILLIPS®
- 3/32" FLAT
- 3/16" FLAT
- AR15 PIN PUNCH

MOLLE-COMPATIBLE BALLISTIC NYLON SHEATH

SQUARE CUT HOLLOW GROUND

A1 & A2 FRONT SIGHT ADJUSTER

35-IN-1 GUN MULTI-TOOL FOR THE AR15

GUN TOOL PRO® - AR15

When it comes to keeping your AR15 going bang and getting the most for your buck, Gun Tool Pro-AR15 is the clear choice. Thirty-five highly capable tools in a tactical, rugged design work with ease and precision to keep black guns firing reliably and accurately. From teardown and carbon scraping, to maintenance and reassembly.

ITEM # AVGTPROAR | MSRP \$59.99

TOOLS SPECIFICALLY DESIGNED FOR POPULAR RIFLE AND SHOTGUN PLATFORMS.

37-IN-1 UNIVERSAL GUN MULTI-TOOL

INCLUDES 12 BITS:

- T10 TORX®
- T20 TORX®
- #1 PHILLIPS®
- 3/32" FLAT
- 5/32" ALLEN®
- 1/8" ALLEN®
- T15 TORX®
- #00 PHILLIPS®
- #2 PHILLIPS®
- 3/16" FLAT
- 9/64" ALLEN®
- 3/32" ALLEN®

SQUARE CUT HOLLOW GROUND

MOLLE-COMPATIBLE BALLISTIC NYLON SHEATH

GUN TOOL MAX®

Packed with precision-made, gun-specific tools for hunters and shooters, this highly-versatile multi-tool repairs, customizes and makes disassembly and reassembly fast and easy. The ballistic nylon sheath carries 12 additional bits for added functionality. It's a whole new breed of Gun Tool.

ITEM # AVGTMAX | MSRP \$79.99

INCLUDES 9 BITS:

- T10 TORX®
- T15 TORX®
- T20 TORX®
- #00 PHILLIPS®
- #1 PHILLIPS®
- #2 PHILLIPS®
- 3/32" FLAT
- 3/16" FLAT
- PIN PUNCH

SQUARE CUT HOLLOW GROUND

30-IN-1 GUN MULTI-TOOL FOR RIFLES & SHOTGUNS

GUN TOOL PRO®

Made for rifles and shotguns, Gun Tool Pro's rock-solid frame features 30 hard-working tools. All in a sleek tactical design. Gun Tool Pro sets the standard for compact gun tools.

ITEM # AVGTPRO | MSRP \$44.99

INCLUDES 4 BITS:

- #1 PHILLIPS®
- #2 PHILLIPS®
- 1/8" FLAT
- 3/16" FLAT

PATENTED

18-IN-1 SHOOTERS MULTI-TOOL

THE GUN TOOL™

The Gun Tool is the original shooter's multi-tool. This patented design features 18 of the most frequently used firearm tools. The Gun Tool gives you a lot of capability whether you're in the field, on the range or at your workbench.

ITEM # AVGTCL211 | MSRP \$29.99

THE HANDGUN OWNERS' TOOL KIT THAT FITS IN A MAG POUCH.

19-IN-1 GUN MULTI-TOOL FOR HANDGUNS



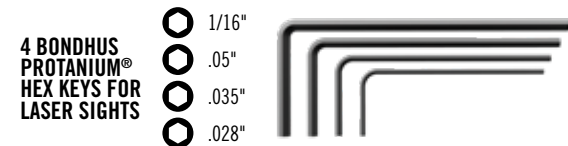
SQUARE CUT HOLLOW GROUND

6 HEX BITS WITH BALL DETENTS:

- ★ T15 TORX®
- 3/32" HEX
- ⊖ 1/8" FLAT
- ⊖ 3/16" FLAT
- ⊕ #1 PHILLIPS®
- ⊕ #2 PHILLIPS®



COMPACT SIZE FITS CONVENIENTLY INTO A PISTOL MAG POUCH



4 BONDHUS PROTANIUM® HEX KEYS FOR LASER SIGHTS

THE PISTOL TOOL™

The list of possibilities is long and thorough – mounting accessories, field disassembly, adjusting laser sights and changing side grips are just a few. Here, with easy one-hand access, is every tool a shooter could want to service and adjust the handgun of their choosing. Each tool locks open and is carefully calibrated to popular pistol platforms – from a polymer striker fired pistol to everything needed to take down the 1911.

ITEM # AVPSTL | MSRP \$39.99

PATENTED

BARREL BUSHING WRENCH



PATENTED

1911 SMART WRENCH™

Finally, a solution to the problem you've been dealing with for years. Removing the barrel bushing on your 1911 has never been easier. Press and turn. The ingenious design keeps the spring and plug corralled – and you out of the dentist's chair.

ITEM # AV1911SW | MSRP \$12.99

NEW

NEXT LEVEL A1 & A2 FRONT SIGHT ADJUSTMENT



FRONT SIGHT ADJUSTER™ PRO

PATENT PENDING

This smartly-designed tool makes front sight adjustments quick, easy and painless. The new longer, black oxide coated steel shaft is paired with an ingenious T-Handle to create the perfect combo when working with both A1 & A2 front sights. The compact carry case makes storing and protecting your tool easier, whether in your range bag or hanging from a lanyard.

NEW ITEM # AVARFSAPRO | MSRP \$19.99

FITS BOTH 5-PIN AND 4-PIN FRONT SIGHTS



AR15 FRONT SIGHT ADJUSTER TOOL

This smartly-designed tool makes front sight adjustments quick and easy. The stainless steel shaft is knurled to create no-slip leverage when turning tight posts.

ITEM # AVAR15FSA | MSRP \$9.99

18-IN-1 CARRY TOOL

AR15 MICRO TOOL™

AR15-specific functionality packed into a micro-sized tool. A multitude of breakdown, carbon scraping, adjusting and sighting-in options are ready at a moments notice. This pint-sized tool is as welcome on your keychain as it is at the range. Always be prepared, no matter the scenario.

ITEM # AVMICROAR15 | MSRP \$19.99



THE ONLY CHOKE TUBE WRENCH YOU WILL EVER NEED

FINI™

This pocket-sized tool is the most versatile choke wrench ever. It fits most brands and all gauges between .410 and 10 gauge. It also sports a handy screwdriver blade perfect for adjusting scope turrets or making repairs.

ITEM # AVCWT210 | MSRP \$9.99

ESSENTIAL TOOLS FOR GLOCK® OWNERS.



PUSH BUTTON ARMORER'S MULTI-TOOL

- 3/16" HEX NUT DRIVER
- .050" ALLEN® WRENCH
- ⊖ FLAT BLADE SCREWDRIVER
- 3MM ARMORER'S PIN PUNCH

PUSH BUTTON DEPLOYMENT OF 4 GLOCK-SPECIFIC TOOLS.

4-IN-1 TOOL™ FOR GLOCK®

Sleek, ergonomic, packed with function. In every way a thoroughly modern armorer's tool for Glock owners. Four different tools store inside the handle and each snaps open and locks in place with the push of a button. Remove pins for disassembly, change out front sights, remove slide lock spring and locking block and adjust aftermarket rear sights.

ITEM # AVGLOCK41 | MSRP \$29.99

ARMORER'S COMBINATION DISASSEMBLY & FRONT SIGHT TOOL



THE GLOCK OWNER'S ESSENTIAL TOOL. FITS ALL MODELS.

- 3/16" HEX NUT DRIVER
- 3MM ARMORER'S PIN PUNCH

2-IN-1 TOOL™ FOR GLOCK®

This is the essential armorer's tool for Glock owners. Precisely-machined steel matches the quality of your gun. It combines the ability to completely disassemble your gun for cleaning and maintenance with the ability to change front sights.

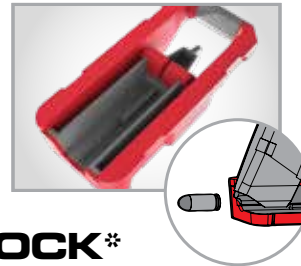
ITEM # AVGLOCK21 | MSRP \$17.99

MAGAZINE QUICK-DISASSEMBLY TOOL

CHANGE BASE PLATES OR DISASSEMBLE GLOCK MAGAZINES FOR SAFE AND EASY CLEANING.



MAGAZINE UNLOADER



PATENT PENDING

SMART MAG TOOL™ FOR GLOCK®

Change base plates or disassemble Glock magazines for safe and easy cleaning. No fumbling, no need for an extra hand, no out-of-control springs launching across the room. The Smart Mag Tool for Glock simplifies the process by allowing you to break open the baseplate, and slide it off while retaining the spring in a secure position.

ITEM # AVGLOCKMT | MSRP \$14.99

NEXT-GEN CLEANING MAT WITH INTEGRATED PARTS TRAY

PATENTED

SMART MAT® FOR GLOCK®

This mat was built by people who know guns inside and out and were fed up with the old way of doing things. It is the perfect size to handle a fieldstripped Glock with the visible instructions to help you break it down. The attached parts tray ensures your pins and springs are never lost again.

ITEM # AVGLOCKSM | MSRP \$19.99



DETAILED, ILLUSTRATED HOW-TO INSTRUCTION



FIELD GUIDE™ FOR GLOCK®

The Field Guide for Glock puts critical maintenance instruction in a compact, chemical-resistant format. Loaded with easy-to-understand illustrations, it shows you how to disassemble, clean, lubricate and reassemble your Glock. Laminated and durable.

ITEM # AVGLOCKR | MSRP \$9.99

*DISCLAIMER: This product is not manufactured, authorized, endorsed, or warranted by GLOCK. GLOCK does not warrant or represent that this product is compatible with GLOCK pistols. "GLOCK" is a federally registered trademark of GLOCK, Inc. and is one of many trademarks owned by GLOCK, Inc. and GLOCK Ges.m.b.H. New Revvo Brand Group, LLC, d/b/a Real Avid is not affiliated in any manner with, or otherwise endorsed by, GLOCK, Inc. or GLOCK Ges.m.b.H.

CLEANING HOUSE ON GUN CLEANING COMPETITION.

HIGH-PERFORMANCE GUN CLEANING™

It's time to retire those tired old cleaning kits and upgrade to the best. At Real Avid®, we obsess over improving and innovating the gun cleaning experience and producing the best performing kits, tools and chemicals on the planet.





GUN GRIPPER™
FORM-FITTING RETENTION FOR TIGHT GRIP ON GUN BARRELS

THE SMART AND EASY WAY TO WORK ON YOUR GUN.

New Gun Gripper technology incorporated into the yoke wraps around different contoured barrels and handguards providing an easy one-handed securement.



TRIGGER CLAMP QUICKLY ENGAGES AND DISENGAGES FORM-FITTING FOAM PADS WITH EASE, TO SECURE YOUR FIREARM FOR THE UTMOST PROTECTION.



WHEN INSTALLING OPTICS, THE ACCU-LEVEL™ KNOB LOCATED ON THE TRIGGER CLAMP OFFERS 6 DEGREES OF TILTING MICRO-ADJUSTMENTS FOR LEVELING FIREARMS.



HEIGHT-ADJUSTABLE, NON-SLIP FEET THAT ARE CAPABLE OF BEING CLAMPED TO A BENCH OR BOLTED DOWN FOR A LONG-TERM SOLUTION.

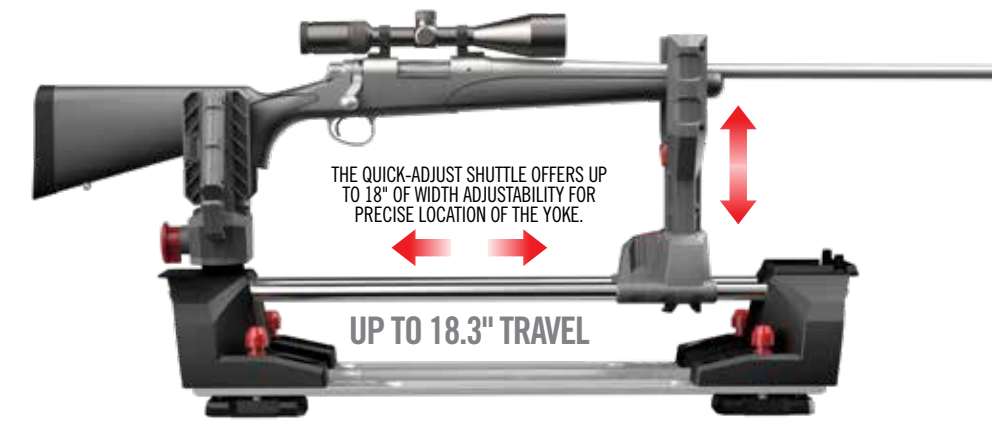


SMART-ASSIST™ ACCESSORY SYSTEM
UPGRADE YOUR WORKSTATION EXPERIENCE.

NEW

THE FIRST EVER TRUE GUN WORKSTATION.

REVOLUTIONIZE HOW YOU CLEAN, REPAIR, CUSTOMIZE & MOUNT.



THE QUICK-ADJUST SHUTTLE OFFERS UP TO 18" OF WIDTH ADJUSTABILITY FOR PRECISE LOCATION OF THE YOKE.

UP TO 18.3" TRAVEL

THE PERFECT FIT FOR YOUR RIFLES AND SHOTGUNS.

MASTER GUN WORKSTATION™ **PATENT PENDING**

The Master Gun Workstation is the most advanced, versatile and comprehensive firearm workstation available! Cleaning, scope mounting and light gunsmithing has never had it this easy. The ingenious one-handed setup for firearms with chemical, brushes, jags and cleaning rod storage turned what some would call the ultimate vise into the ultimate workstation.

NEW ITEM # AVMGWS | MSRP \$199.99

NEW

PLUG & PLAY WORK ACCESSORIES FOR GUN DIY.



SMART ASSIST

5-INCH MAGNIFYING GLASS

180 LUMEN WORK LIGHT

CELL PHONE HOLDER



WORKS ON THE REAL AVID® MASTER GUN VISE®, MASTER GUN WORKSTATION OR MOUNTS TO YOUR BENCH.



180 LUMEN WORK LIGHT WITH 3 SELECTABLE SETTING TO ILLUMINATE DARK, HARD-TO-SEE AREAS.



5-INCH MAGNIFYING GLASS, GREAT FOR MAGNIFYING DELICATE TASKS.



CELL PHONE HOLDER A HANDS-FREE WAY TO WATCH HOW-TO VIDEOS AND ANSWER CALLS.

SMART-ASSIST™ ACCESSORY SYSTEM **PATENT PENDING**

The smart and easy way to mount accessories to your work area. Simply attach the Smart-Assist System to your Master Gun Vise, Master Gun Workstation or benchtop for a better working experience. The quick-connect locking system offers a one-handed flexible way to magnify or illuminate your Gun DIY projects while watching your favorite gunsmith.

NEW ITEM # AVMVACC | MSRP \$99.99

NEW

CLEAN GUNS FASTER. PROTECT GUNS LONGER.



ADVANCED TRIPLE-ACTION PERFORMANCE TRI-MAX CLP®

Tri-Max CLP is a chemically-advanced triple threat to the most common enemies of gun performance – friction, corrosion & gunk. Advanced anti-friction additives bond to metal surfaces for longer lasting lubrication of moving gun parts, also creating a protective barrier against gunk, grime and burnt powder for easier cleaning of the action.

EXTREME CORROSION PROTECTION & LUBRICATION GUN-MAX® GUN OIL

Gun-Max's advanced gun-metal grade formula sets a new standard for protecting, lubricating and cleaning modern guns. Maximizes performance of semi-auto guns with high cycle rates. Formulated to excel in sub-zero temperatures and harsh operating conditions.

POWERFUL COPPER & CARBON ELIMINATOR BORE-MAX® BORE SOLVENT

Powerful gun-metal grade solvent is specially formulated to expand and penetrate within the gun bore, rapidly and effectively dissolving performance inhibiting copper and powder fouling.

WICKED FAST GUN ACTION CLEANER & DEGREASER FOUL-OUT® GUNK BLASTER

Foul-Out Gunk Blaster blows away grease and grime fast and leaves no sticky residue. Quickly cleans chambers, actions, trigger groups, bolt groups, slides, choke tube threading, semi-auto gas ports, extractors, ejectors and other hard-to-reach areas.



GUN-MAX GUN OIL	12 OZ CAN	ITEM # AVMLP12A	MSRP \$13.99
GUN-MAX GUN OIL	4 OZ BOTTLE	ITEM # AVBMGO4L	MSRP \$8.99
GUN-MAX WIPES SINGLES	25 PACK	ITEM # AVGMW25	MSRP \$14.99
TRI-MAX CLP	12 OZ CAN	ITEM # AVCLP12A	MSRP \$14.99
NEW TRI-MAX CLP	4 OZ BOTTLE	ITEM # AVCLP4L	MSRP \$8.99
NEW TRI-MAX CLP	60 COUNT CANISTER	ITEM # AVCLPW-C60	MSRP \$16.99
BORE-MAX BORE SOLVENT	4 OZ BOTTLE	ITEM # AVBMS4L	MSRP \$8.99
FOUL-OUT GUNK BLASTER	12 OZ CAN	ITEM # AVDCB12A	MSRP \$13.99

TWO-POSITION NOZZLE STRAW

AN INDUSTRY-FIRST FLIP-UP NOZZLE PROVIDES PIN-POINT CHEMICAL APPLICATION WITH NOZZLE IN THE "UP" POSITION. THE "DOWN" POSITION PROVIDES A WIDER SPRAY AND SAFELY STORES THE STRAW WHEN NOT IN USE.



NEW

THE BORE-MAX® SPEED CLEAN SYSTEM™ IS PRECISELY SIZED FOR MAXIMUM BORE CONTACT.

The Bore-Max Speed Jag and Speed Jag Patches Multi-Cal Pack and Bore-Max Speed Brush pack includes 10 popular pistol and rifle calibers in one convenient storage case.

INCLUDES SET OF 10 JAGS:
RIFLE
.22 / .223 CAL / 5.56MM
.243 CAL / 6MM
.260 CAL / 6.5MM
.270 CAL, .284 CAL / 7MM
.30 CAL / 7.62MM
HANDGUN
.22 CAL, .380 CAL / 9MM
.40 CAL, .45 CAL



NEW BORE-MAX® SPEED JAGS™ & PATCHES MULTI-CAL PACK
NEW BORE-MAX® SPEED BRUSHES™ MULTI-CAL PACK

INCLUDES SET OF 10 BRUSHES:
RIFLE
.22 / .223 CAL / 5.56MM
.243 CAL / 6MM
.260 CAL / 6.5MM
.270 CAL, .284 CAL / 7MM
.30 CAL / 7.62MM
HANDGUN
.22 CAL, .380 CAL / 9MM
.40 CAL, .45 CAL



ITEM # AVBMJAGS
ITEM # AVBMSBS

MSRP \$49.99
MSRP \$39.99

REVOLUTIONARY BORE CLEANING SYSTEM.

PATENT
PENDING

Maximizing bore contact yields better results. Bore cleaning is a chore, and so the goal is simple – get it done faster and get it done right. The Bore-Max Speed Clean System delivers up to 4 times more bore cleaning contact per pass than traditional brushes, jags and patches. This means less passes to clean your bore and less time spent on the chore. Upgrade to High Performance Gun Care!

BORE-MAX® SPEED BRUSHES™

Twice the bristle density of standard brushes for maximum scrubbing power. Stiff, nickel-plated phosphor bronze bristles eliminate chemical breakdown in the bore and extend the life of the brush.

BORE-MAX SPEED JAG™ & PATCHES

Speed Jag and Speed Jag Patches are sized exactly to work in tandem delivering precise bore fitment by caliber, resulting in the removal of up to 4 times the copper and carbon of shorter traditional jags and square patches. This means a cleaner bore with less pass throughs.

BORE-MAX SPEED CLEAN SYSTEM™

INCLUDES SPEED BRUSH, JAG AND PATCHES

An all-in-one upgrade system for faster and easier bore cleaning. System includes the Bore-Max Speed Brush with twice the bristle density of traditional brushes, making it twice as effective in agitating the surface in preparation for the jag and patch. Finish off with the Speed Jag and Patch combination to remove up to 4 times the carbon and copper of shorter traditional jags and square patches.

BORE-MAX SPEED JAG PATCHES™ REFILL

Speed Jag Patches are specifically designed to provide no-bunch scrubbing when used with corresponding caliber specific Speed Jags. The micro-pore fibers provide maximum absorbency and grit-grabbing surface texture without fraying or dropping lint.

BORE-MAX SPEED BRUSHES

.22 / .223 CAL / 5.56MM	ITEM # AVBMSB223	MSRP \$4.99
.243 CAL / 6MM	ITEM # AVBMSB243	MSRP \$4.99
.260 CAL / 6.5MM	ITEM # AVBMSB65MM	MSRP \$4.99
.270 CAL	ITEM # AVBMSB270	MSRP \$4.99
.284 CAL / 7MM	ITEM # AVBMSB7MM	MSRP \$4.99
.30 CAL / 7.62MM	ITEM # AVBMSB30	MSRP \$4.99
.338 CAL	ITEM # AVBMSB338	MSRP \$4.99
.35 CAL	ITEM # AVBMSB35	MSRP \$4.99
.375 CAL	ITEM # AVBMSB375	MSRP \$4.99
.22 CAL	ITEM # AVBMSB22	MSRP \$4.99
.380 CAL / 9MM	ITEM # AVBMSB9MM	MSRP \$4.99
.40 CAL	ITEM # AVBMSB40	MSRP \$4.99
.45 CAL	ITEM # AVBMSB45	MSRP \$4.99
12GA	ITEM # AVBMSB12G	MSRP \$4.99
20GA	ITEM # AVBMSB20G	MSRP \$4.99

BORE-MAX SPEED JAG & PATCHES

.22 / .223 CAL / 5.56MM	ITEM # AVBMJAG223	MSRP \$5.99
.243 CAL / 6MM	ITEM # AVBMJAG243	MSRP \$5.99
.260 CAL / 6.5MM	ITEM # AVBMJAG65MM	MSRP \$5.99
.270 CAL	ITEM # AVBMJAG270	MSRP \$5.99
.284 CAL / 7MM	ITEM # AVBMJAG7MM	MSRP \$5.99
.30 CAL / 7.62MM	ITEM # AVBMJAG30	MSRP \$5.99
.22 CAL	ITEM # AVBMJAG22	MSRP \$5.99
.380 CAL / 9MM	ITEM # AVBMJAG9MM	MSRP \$5.99
.40 CAL	ITEM # AVBMJAG40	MSRP \$5.99
.45 CAL	ITEM # AVBMJAG45	MSRP \$5.99

BORE-MAX SPEED CLEAN SYSTEM

INCLUDES SPEED BRUSH, JAG AND PATCHES

.22 / .223 CAL / 5.56MM	ITEM # AVBMSET223	MSRP \$9.99
.243 CAL / 6MM	ITEM # AVBMSET243	MSRP \$9.99
.260 CAL / 6.5MM	ITEM # AVBMSET65MM	MSRP \$9.99
.270 CAL	ITEM # AVBMSET270	MSRP \$9.99
.30 CAL / 7.62MM	ITEM # AVBMSET30	MSRP \$9.99
.380 CAL / 9MM	ITEM # AVBMSET9MM	MSRP \$9.99
.40 CAL	ITEM # AVBMSET40	MSRP \$9.99
.45 CAL	ITEM # AVBMSET45	MSRP \$9.99

BORE-MAX SPEED JAG PATCHES REFILL

RIFLE	ITEM # AVBMPATCH8	MSRP \$8.99
HANDGUN .32 - .45 CAL	ITEM # AVBMPATCH4L	MSRP \$8.99
HANDGUN .22 CAL	ITEM # AVBMPATCH4S	MSRP \$8.99

MAXIMUM BORE CLEANING.

NEW



GUN GRIPPER™
FORM-FITTING
RETENTION
FOR FIREARMS.

THE PORTABLE, SECURE
GUN CLEANING AND
MODIFICATION STAND.

**PATENT
PENDING**

SPEED STAND™

The Speed Stand is the most portable and convenient gun cleaning stand on the market. Use at home or at the range for quick modifications and cleaning on all your rifles and shotguns. The adjustable feet allow for use on uneven surfaces while the Gun Gripper yokes firmly secure your firearm.

NEW ITEM # AVSSF6 | MSRP \$59.99

BORE-FIT™ PRECISION



CONTOURED, INTERCHANGEABLE
TIPS ALLOW FOR BETTER
FIT AND PROTECTION.

**PATENT
PENDING**

.223 CAL/5.56MM - .243 CAL/6MM
.243 CAL/6MM - .284 CAL/7MM
.284 CAL/7MM - .375 CAL

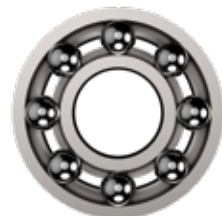
SMART-FIT® BORE GUIDE™

The Smart-Fit Bore Guide is the ultimate and first-of-its-kind spring-loaded, precision cleaning tool, providing worry-free cleaning. The spring-loaded slider locks, providing a secure fitment and ensures a consistent chamber sealing with zero movement when running brushes and patches through your bore. An anodized aluminum tube is designed for lasting durability and the contoured, non-marring, bore-specific tips ensure damage-free, precise fitment on centerfire rifles from .223 - .375 caliber.

NEW ITEM # AVMBG | MSRP \$24.99

THE SMARTER CLEANING ROD.

ULTRA-GLIDE BEARINGS
DELIVER SILKY-SMOOTH
ROTATION TO EFFECTIVELY
CLEAN LANDS & GROOVES.



**PATENT
PENDING**



PREMIUM CARBON FIBER GUN CLEANING ROD WITH COMFORT GRIP HANDLE

BORE-MAX® SMART ROD®

Upgraded comfort grip made for pushing and pulling jags, patches and brushes through the bore. Easier on your wrist and hands due to the vertical grip versus old-school horizontal screwdriver grips. The carbon fiber rod easily turns through the bore following the rifling thanks to the ultra-glide bearing handle attachment.

.22 - .270 CAL 36" CARBON FIBER	ITEM # AVBMSR2236	MSRP \$39.99
.270 - .45 CAL 36" CARBON FIBER	ITEM # AVBMSR3036	MSRP \$39.99
.270 - .45 CAL 44" CARBON FIBER	ITEM # AVBMSR3044	MSRP \$44.99
.22 - .45 CAL 9" CARBON FIBER	ITEM # AVBMSR2209	MSRP \$34.99

HANDS-FREE
ILLUMINATION.

MAGNETIC BORE LIGHT™

Magnetic bore light clings to your firearm's metal surfaces for quick and easy inspection into your bore, chamber or action.

ITEM # AVBR101-B | MSRP \$9.99



THE ULTIMATE WAY TO CLEAN THE AR15 BOLT CARRIER GROUP.

BOLT CARRIER GROUP
CARBON REMOVAL
MULTI-TOOL



BALLISTIC
NYLON SHEATH

PATENTED

NEXT-GEN CARBON SUPER TOOL FOR BCG'S

CARBON BOSS®- AR15

Smartly designed, this is the most comprehensive carbon removal multi-tool ever. Packed with easy-to-use precision cleaning tools.

ITEM # AVCARBAR15 | MSRP \$34.99

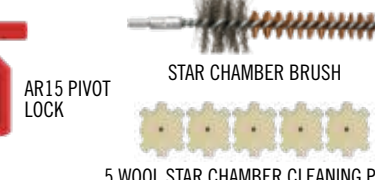


PRECISION CLEANING
TOOL FOR BCG'S

THE AR15 SCRAPER™

A dirty bolt carrier group (BCG) is the #1 cause of AR15 malfunctions. Carbon is the enemy and it quickly builds up in hard-to-clean areas.

ITEM # AVAR15S | MSRP \$19.99



AR15 PIVOT
LOCK

STAR CHAMBER BRUSH

5 WOOL STAR CHAMBER CLEANING PADS

SCRAPER PRECISELY FITS
BARREL EXTENSION AND
INTERNAL CHAMBER

ALL-IN-1 CHAMBER CLEANING KIT

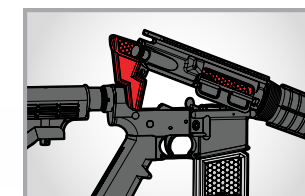
CHAMBER BOSS®- AR15

Every tool you need to easily eliminate baked-on carbon from the AR15 chamber. All cleaning implements store inside the ergonomic handle.

ITEM # AVAR15CB | MSRP \$29.99



AR15 PIVOT
LOCK



PIVOT LOCKING BORE CLEANING GUIDE

SMART LOCK™ BORE GUIDE

This clever design combines the ability to lock the AR15 upper open while perfectly aligning cleaning rods inside the barrel. The industry-first pivot-locking arm securely holds the upper open at an optimum angle for cleaning the bore.

ITEM # AVSLBG | MSRP \$19.99

FIRST-EVER SELF-STORING, ALL-IN-ONE GUN CLEANING STATIONS.

ADVANCED CLEANING KIT, DELUXE GUN MAT, ALL-IN-ONE



MASTER CLEANING STATION®

The world's first Master Cleaning Stations. Designed to empower gun owners to thoroughly clean guns from bore, breech and action down to the component level. The case provides frustration-free, spill-proof storage and features a proprietary pop-up storage riser making every tool easy to extract and return to its fitted holder. A magnetic parts tray keeps small gun parts from getting lost during cleaning. Finally, an integrated, oil-resistant, non-slip backed, padded cleaning mat provides a large, safe, anywhere-anytime cleaning surface. The entire expansive Master Cleaning Station rolls up and fits into a compact storage bag.

MASTER CLEANING STATION - UNIVERSAL GUN
 MASTER CLEANING STATION - AR15
 MASTER CLEANING STATION - HANDGUN

BOX ITEM # AVMCS-U MSRP \$59.99
 BOX ITEM # AVMCS-AR MSRP \$69.99
 BOX ITEM # AVMCS-P MSRP \$49.99

Attached spill-proof, impact-resistant case comes equipped with a comprehensive set of cleaning tools

PATENTED

UNIVERSAL GUN



AR15



HANDGUN



ERGONOMIC HANDLE ROTATES, TAPS PINS AND ALSO WORKS AS A DETAILING HANDLE

PROFESSIONAL-GRADE KITS. NOT TYPICAL, CHEAP, TRAY-BASED, SPILL-PRONE KITS.

ALL THE COMPONENTS TO CLEAN ALL YOUR GUNS



UNIVERSAL



AR15



HANDGUN



PRECISION

GUN BOSS® PRO

PATENTED

Gun Boss Pro is the answer to cheap, flimsy, spill-prone cleaning kits. The virtually indestructible stand-up case puts a complete set of gun cleaning tools at your fingertips. Premium components are secured into labeled, fitted tool slots and stay organized. No annoying loose parts. Conveniently the lid doubles as a kick-stand, standing the case up for easy access to tools.

GUN BOSS PRO - UNIVERSAL SELF PACK ITEM # AVGBPRO-U MSRP \$34.99
 GUN BOSS PRO - AR15 CLEANING KIT SELF PACK ITEM # AVGBPROAR15 MSRP \$29.99
 GUN BOSS PRO - HANDGUN CLEANING KIT SELF PACK ITEM # AVGBPRO-P MSRP \$24.99
 GUN BOSS PRO - PRECISION CLEANING TOOLS SELF PACK ITEM # AVGBPROPTC MSRP \$19.99

ADVANCED TACTICAL MAINTENANCE KIT FOR AR15.

ARMORER'S TOOL BAG

EQUIPPED WITH SPECIALIZED TOOLS TO PROFESSIONALLY CLEAN & MAINTAIN BOLT, BORE & CHAMBER



PATENTED

LOADED WITH THE TOOLS YOU NEED.

- GUN TOOL AMP® - AR15
- GUN BOSS® MULTI-KIT - .223 CAL / 5.56 MM
- AR15 SMART MAT®
- SMART-FIT® AR15 VISE BLOCK
- CHAMBER BOSS® - AR15
- SMART LOCK™ BORE GUIDE
- AR15 FIELD GUIDE™

ALL THE TOOLS YOU NEED TO CLEAN AND MAINTAIN YOUR AR15

AR15 TACTICAL MAINTENANCE KIT

Critical to AR15 performance is the bolt, bore and chamber. Working in unison, when one goes down, they all go down. This smart, organized kit allows you to be fully equipped on the bench or in the field with all the tools necessary to properly maintain and clean your AR15. Keep It Ready!

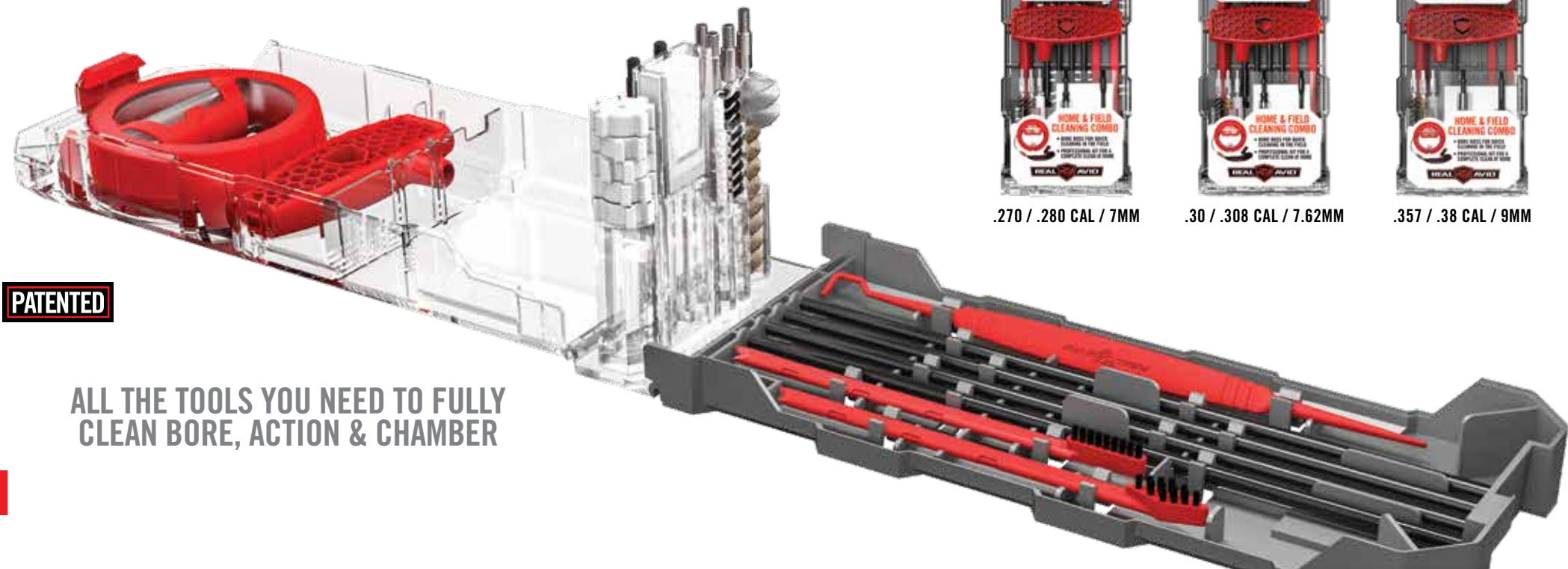
ITEM # AVATMK | MSRP \$199.99

HOME & FIELD DOUBLE-DUTY, PROFESSIONAL GUN CLEANING KITS.

GUN BOSS® MULTI-KIT

Home and field double-duty, single-caliber, specialized gun cleaning kits. Kits include the Bore Boss® for a quick clean any time you shoot your gun, and an expanded gun cleaning kit with all the tools you need to fully clean the bore, action and chamber.

.22 CAL	RIFLE	ITEM # AVGBMK22	MSRP \$29.99
.223 CAL / 5.56MM	RIFLE	ITEM # AVGBMK223	MSRP \$34.99
.243 / .260 CAL / 6.5MM	RIFLE	ITEM # AVGBMK243	MSRP \$29.99
.270 / .280 CAL / 7MM	RIFLE	ITEM # AVGBMK270	MSRP \$29.99
.30 / .308 CAL / 7.62MM	RIFLE	ITEM # AVGBMK308	MSRP \$29.99
.357 / .38 CAL / 9MM	HANDGUN	ITEM # AVGBMK9MM	MSRP \$29.99



PATENTED

ALL THE TOOLS YOU NEED TO FULLY CLEAN BORE, ACTION & CHAMBER

SMART, ORGANIZED & FULLY EQUIPPED TO CLEAN ON THE BENCH OR IN THE FIELD.



.22 CAL .223 CAL / 5.56MM .243 / .260 CAL / 6.5MM



.270 / .280 CAL / 7MM .30 / .308 CAL / 7.62MM .357 / .38 CAL / 9MM

WORLD'S EASIEST BORE CLEANER IS NOW THE FASTEST SELLER.



PATENTED

NOW 12 CHOICES!
.17 CAL TO 12 GA

BORE BOSS®

The single-piece Dual-Action Cable with integrated phosphor bronze brush and braided mop wraps around the unique Flex-Case Handle to keep the system stowed and organized. To use, simply flip, feed, clip and pull. Throw it in your pack, or put it in your pocket. It's the next best thing to a self-cleaning gun.

.17 CAL	RIFLE	ITEM # AVBB17	MSRP \$9.99
.22 CAL	RIFLE	ITEM # AVBB22	MSRP \$9.99
.223 CAL / 5.56MM	RIFLE	ITEM # AVBB223	MSRP \$9.99
.243 / .260 CAL / 6.5MM	RIFLE	ITEM # AVBB243	MSRP \$9.99
.270 / .280 CAL / 7MM	RIFLE	ITEM # AVBB270	MSRP \$9.99
.30 / .308 CAL / 7.62MM	RIFLE	ITEM # AVBB308	MSRP \$9.99
9MM CARBINE	RIFLE	ITEM # AVBB9MM-CAR	MSRP \$9.99
.357 / .38 CAL / 9MM	HANDGUN	ITEM # AVBB9MM	MSRP \$9.99
.40 / .41 CAL	HANDGUN	ITEM # AVBB40	MSRP \$9.99
.44 / .45 CAL	HANDGUN	ITEM # AVBB45	MSRP \$9.99
20 GA	SHOTGUN	ITEM # AVBB20G	MSRP \$9.99
12 GA	SHOTGUN	ITEM # AVBB12G	MSRP \$9.99

RUGGED & READY TACTICAL CLEANING KITS.

AR15 KIT FITS
.223 CAL / 5.56MM

20-PIECE AR15
CLEANING KIT

GUN BOSS® AR15

Extremely compact so it can be carried anywhere. It contains everything needed to preserve the accuracy and reliability of an AR15. A chamber brush, carbon picks and star chamber pads help to clean more than the bore and keep your bolt cycling smoothly. Smartly organized, each brush, pick, jag, patch, pad and rod is held securely in place.

ITEM # AVGCKAR15 | MSRP \$29.99



14-PIECE SHOTGUN
CLEANING KIT

SHOTGUN KIT FITS
20 & 12 GA

GUN BOSS® SHOTGUN

Big functionality in a small rugged package that easily fits into a pack or range bag. A complete cleaning kit designed to keep your shotgun tip-top in the field. No annoying loose parts. Smartly organized, each brush, mop and slotted patch tip is held securely in place. The Gun Boss Shotgun Cleaning Kit is a complete cleaning system that easily travels with you.

ITEM # AVGCK310-S | MSRP \$19.99



HANDGUN KIT FITS
.22 - .45 CAL

13-PIECE HANDGUN
CLEANING KIT

GUN BOSS® HANDGUN

A complete system to keep your handgun clean and firing accurately. Aluminum connectors, nylon jags, slotted tips and phosphor bronze brushes protect bores. Take it anywhere, exclusively for handguns the Gun Boss Handgun Cleaning Kit moves easily between the field, range and workbench.

ITEM # AVGCK310-P | MSRP \$19.99





LONG GUN MATS 43" X 16"
HANDGUN MATS 19" X 16"

NEXT-GEN CLEANING MATS WITH INTEGRATED PARTS TRAY.

SMART MAT® CLEANING MATS

These are cleaning mats on steroids. The no-slip backed padded mat features an oil-resistant surface, allowing you to properly clean your gun without ruining the kitchen table and is large enough to handle field-stripped guns. The ingenious magnetic parts tray ensures your pins, screws and springs are never lost again.

AR15 SMART MAT
UNIVERSAL SMART MAT
GLOCK SMART MAT
HANDGUN SMART MAT

ITEM # AVAR15SM
ITEM # AVULGSM
ITEM # AVGLOCKSM
ITEM # AVUHGSM

MSRP \$24.99
MSRP \$24.99
MSRP \$19.99
MSRP \$19.99

PATENTED

TABLE GRIPPING, OIL REPELLING, SHOCK ABSORBING, PARTS SECURING, GUN CLEANING AWESOMENESS.

AR15



UNIVERSAL



GLOCK



HANDGUN



NEW

ERGONOMIC GUN DETAILING TOOLS.



CLEAN THE CARBON OUT OF YOUR FIREARMS.

INNOVATIVE, ERGONOMIC TRIANGULAR HANDLES

ACCU-GRIP™ STEEL PICKS

Firearm owners have had no choice but to use subpar cleaning picks for years. Accu-Grip Steel Picks offer specifically designed tips ensuring easy work on carbon build-up. The ergonomic design and stainless steel picks fit comfortably in your hand and offer superior control when cleaning hard-to-reach areas. Great for general firearm maintenance where plastic picks and cleaning solvents aren't enough. Throw away those toothpicks and use tools that were designed for the job.

NEW ITEM # AVAGSPS | MSRP \$39.99



ERGONOMIC GUN DETAILING TOOLS



LENGTHS 8" TO 8 1/4"

ACCU-GRIP™ PICKS & BRUSHES

We created a superior line of picks and brushes that gives you complete control when cleaning hard-to-reach areas, comfortably fits in your hand and most importantly – won't damage your firearm.

ITEM # AVPBS | MSRP \$11.99



LENGTH 5 1/2"

8 SUPER-SCRUBBER GUN BRUSHES WITH INTEGRATED SCRAPERS



CARBON BUSTING MICRO BRISTLES

SMART BRUSH® CLEANING BRUSHES

Our unique brush shapes with integrated scrapers are designed to specifically clean hard-to-reach interior and exterior surfaces where carbon and gunk accumulate.

ITEM # AVSB01 | MSRP \$11.99



ALL COMPONENTS WORK WITH STANDARD 8-32 THREADS

.223 CAL / 5.56MM CHAMBER AND BORE CLEANING

AR15 BRUSH COMBO™

The AR15 Brush Combo contains the critical components you need to keep your AR15 chamber and bore carbon free.

ITEM # AVAR15BC | MSRP \$9.99

AR15 STAR CHAMBER CLEANING PADS

Use a star chamber brush to loosen the carbon then remove it with our star chamber cleaning pads (20 count pack) and a healthy dose of solvent.

ITEM # AVAR15CP | MSRP \$12.99

PREMIUM .223 CAL / 5.56 MM STAR CHAMBER CLEANING PADS



DETAILED, ILLUSTRATED HOW-TO INSTRUCTION



AR15 FIELD GUIDE™

Time-tested know-how in a compact, durable, oil-resistant booklet. The detailed, easy-to-follow graphics show you how to break down, clean, lubricate and reassemble an AR15.

ITEM # AVAR15R | MSRP \$9.99



PARTNERSHIP IN THE REAL WORLD.

We all choose and are sometimes given different missions in our lives. The success or failure of those missions often hinges upon who you choose as your partner. Real Avid hungers to make a difference. To be real in our relationships. To go deeper and not compromise in our search for what's important. To serve our customers by inventing new and smarter ways to solve real-world problems for gun owners. We'll know we've succeeded when we earn the right to be your partner in the missions that you live to achieve.

For the owners of Real Avid, our partner in all of our missions is Jesus Christ. Everything that we do is gently governed by our faith in who He is and how He has changed our lives. It guides our business practices, fuels our creativity and drives us to do everything that we can to honor Him. He leads us to serve others with love and grace and to show by example what real faith looks like in a hurting world. We hope that ultimately, He becomes your partner in your life's mission.

John 3:16 "For God so loved the world that He gave his one and only son, that whoever believes in Him will not perish but have eternal life."





5480 NATHAN LANE NORTH, SUITE 120
MINNEAPOLIS, MN 55442 | 800.286.0567

REALAVID.COM

©2023 NEW REVO BRAND GROUP

***DISCLAIMER:** This product is not manufactured, authorized, endorsed, or warranted by GLOCK. GLOCK does not warrant or represent that this product is compatible with GLOCK pistols. "GLOCK" is a federally registered trademark of GLOCK, Inc. and is one of many trademarks owned by GLOCK, Inc. and GLOCK Ges.m.b.H. New Revo Brand Group, LLC, d/b/a Real Avid is not affiliated in any manner with, or otherwise endorsed by, GLOCK, Inc. or GLOCK Ges.m.b.H.

****DISCLAIMER:** The products in this catalog are not manufactured, authorized, endorsed, or warranted by ArmaLite, Inc. ArmaLite, Inc. does not warrant or represent that this product is compatible with AR-10. "AR-10" is a federally registered trademark of ArmaLite, Inc. New Revo Brand Group, LLC, d/b/a Real Avid is not affiliated in any manner with, or otherwise endorsed by ArmaLite, Inc.

REAL INNOVATION

