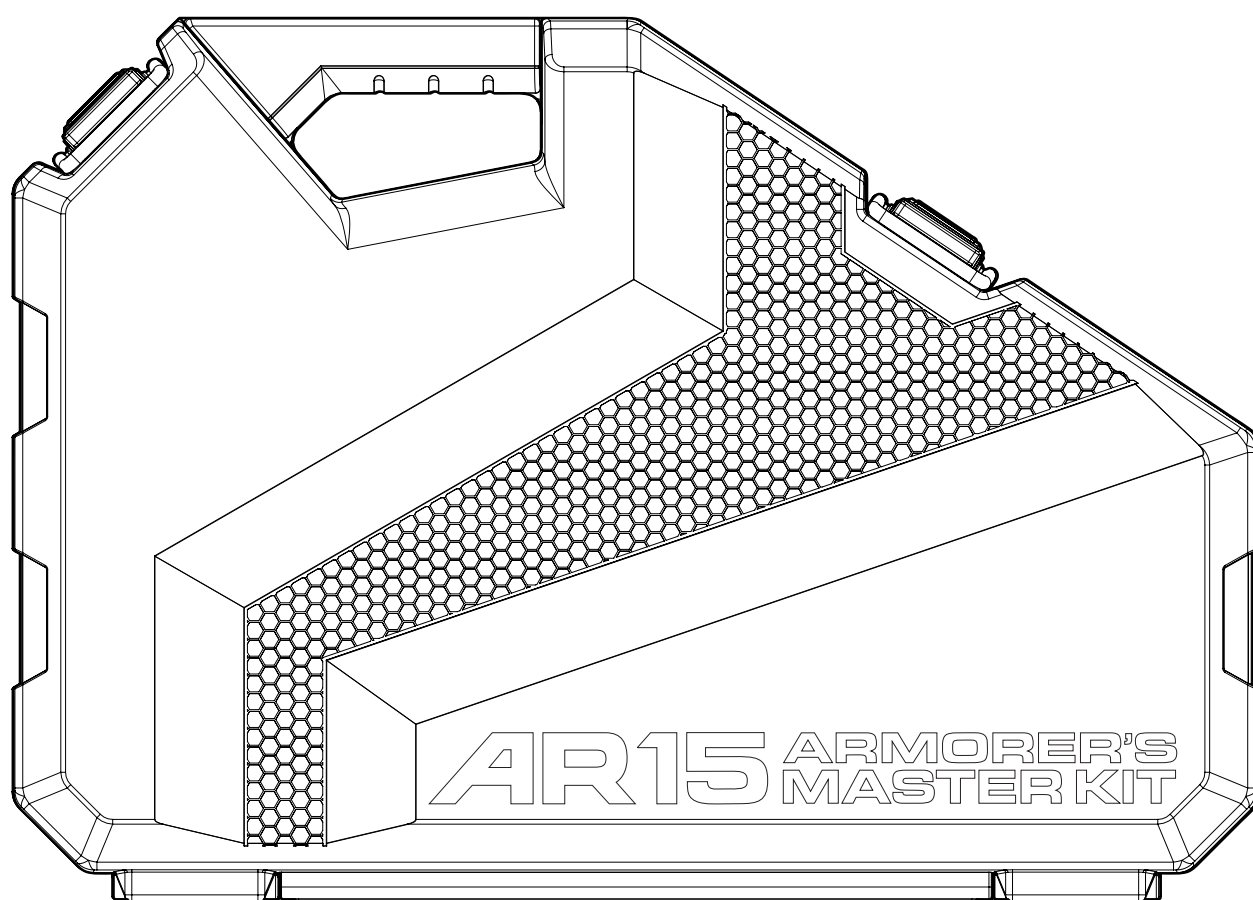


INSTRUCTIONS & WARRANTY INFO



INTRODUCTION

USER GUIDE & WARRANTY

Congratulations on purchasing the AR15 Armorer's Master Kit by Real Avid! Each of the included Master Grade Tools is designed to make the process of building or modifying your gun as easy as possible. Housed in a professional tool case and equipped with step-by-step instructions, you will be able to work smarter and more confidently on your gun.

INDEX

INTRODUCTION	3
ARMORER'S MASTER WRENCH™	4-5
LUG-LOK UPPER VISE BLOCK™	6-7
SMART-FIT AR15 VISE BLOCK™	8-9
AR15 MASTER BENCH BLOCK™	10-11
EASY-GRIP HANDGUARD REMOVAL TOOL™	12-13
AR15 PIVOT PIN TOOL	14-15

WARNING

Before undertaking any type of work on your firearm – including disassembly, cleaning, modification, and reassembly – you must know how to unload, remove the magazine, and visibly and physically safety check the firearm. You must know how to safely operate the action of the firearm and how to combine and separate the upper receiver from the lower receiver.

After performing work on your firearm, you must properly perform all appropriate safety procedures such as checking headspace and confirming proper function of the fire control group. Failure to do so can result in damage or destruction of your firearm and/or injury or death to you and/or any bystanders in the vicinity when the firearm is loaded and/or fired. In all cases, you assume all liability for damages from any modifications made to your firearm.

If you have any doubt about your skills, ability, or understanding of the firearm and/or the tools in the AR15 Armorer's Master Kit, you must seek the assistance of an experienced armorer or gunsmith.

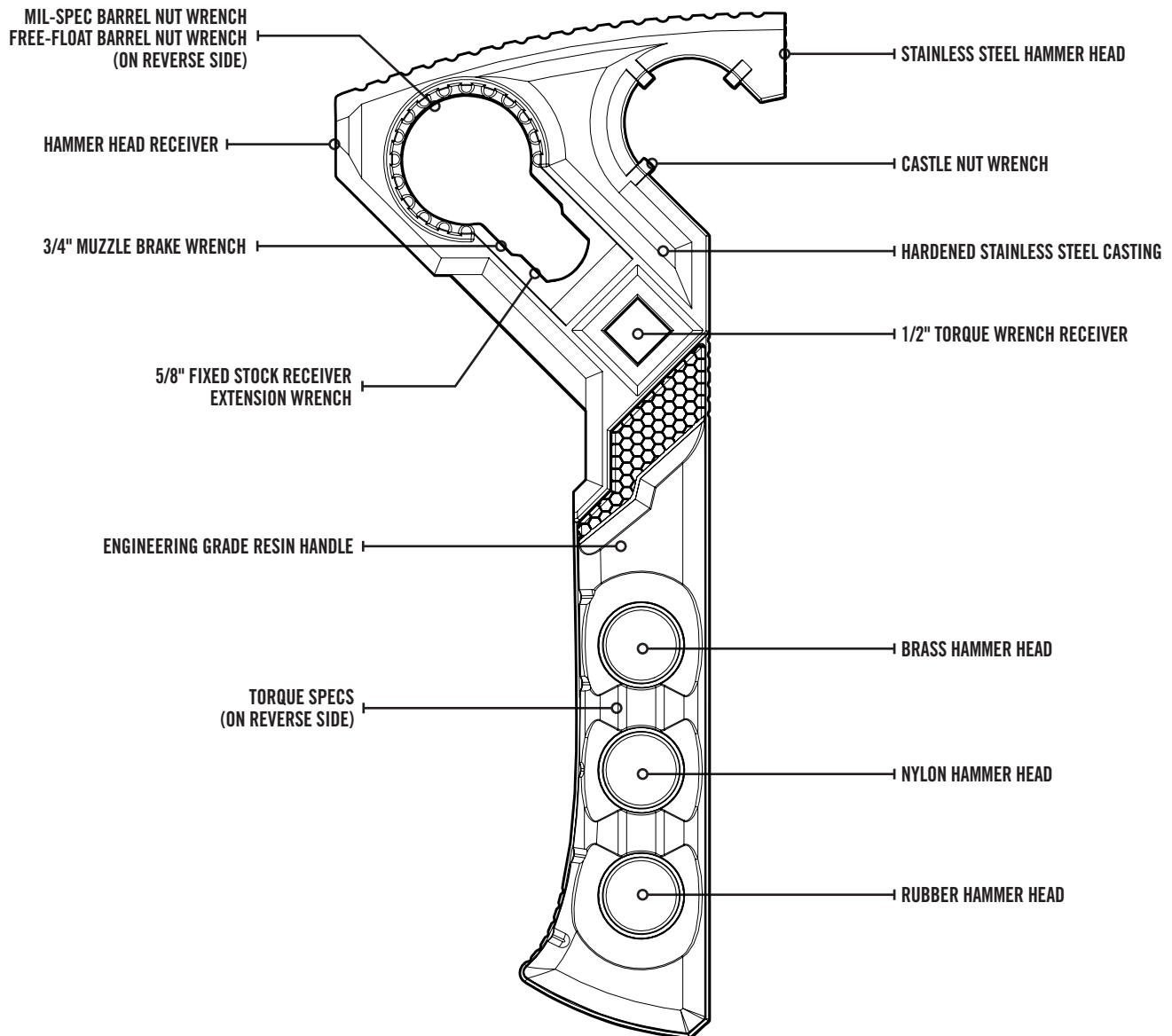
The tools in the AR15 Armorer's Master Kit are made from durable materials, but they are not indestructible. If damage occurs to a tool, do not attempt to continue using it. Using damaged build tools increases the potential for damaging gun components and personal injury.

All components that you select for your AR15 will come with information from the manufacturer. You must carefully read and understand this information before proceeding with any installation. Torque specs vary from one manufacturer to another. We recommend confirming all torque specs with the component's manufacturer.



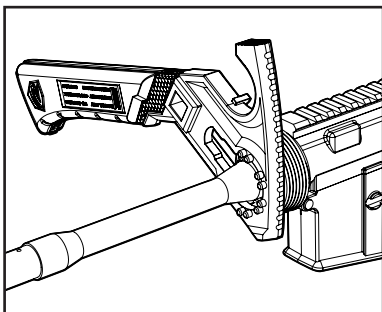
ARMORER'S MASTER WRENCH™

USER GUIDE & WARRANTY



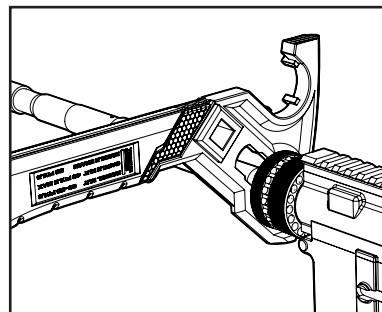
SAFETY: Before using the Armorer's Master Wrench on a firearm, you must **MAKE SURE THAT THE FIREARM IS UNLOADED AND SAFE** to work on. It is your responsibility to exercise caution during the use of this tool, especially when applying torque. Make sure to follow the manufacturer's recommended torque setting when applying torque. **DO NOT APPLY EXCESSIVE TORQUE.** To avoid injury, or damage to your firearm, check for correct fit of all implements carefully before use. To avoid damaging your firearms, make sure that you are using the proper devices to securely hold it in place (barrel blocks, upper vise blocks, lower vise blocks etc.).

CORE FUNCTIONS



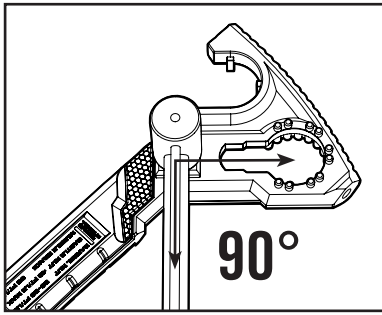
MIL-SPEC BARREL NUT:

For standard barrel nut installation, align wrench carefully and engage teeth fully. Apply recommended torque (usually between 30 and 80 ft/lbs) to align gas tube with one of the notches in the barrel nut.



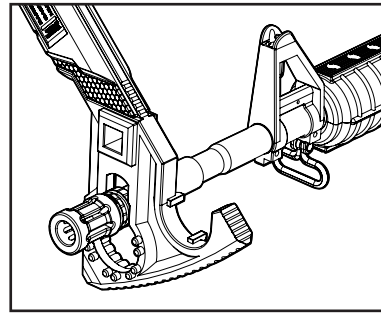
FREE-FLOAT BARREL NUT:

For free-float barrel nut installation, align wrench carefully and engage posts fully. Apply recommended torque (usually between 30 and 80 ft/lbs) to align gas tube with one of the holes in the barrel nut.



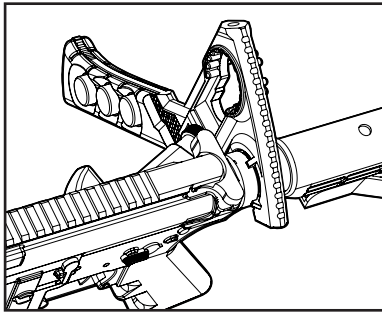
1/2" TORQUE WRENCH:

For proper torque application, draw an imaginary line between the Armorer's Wrench feature being used and the 1/2" torque wrench connection point. Next, position the handle of your torque wrench so that it is 90° to the imaginary line. Finally, apply torque. Illustration shows proper orientation for barrel nut wrench.



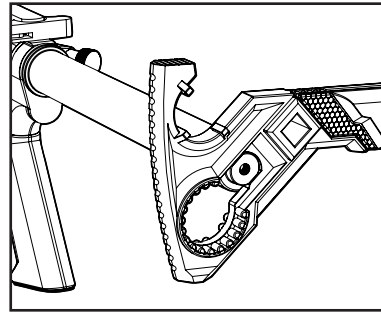
3/4" MUZZLE BRAKE WRENCH:

When removing a muzzle brake or flash hider, apply torque carefully to avoid slipping or marring. If a muzzle device is stuck don't apply excessive torque, consult an expert. When installing a muzzle device, do not exceed manufacturer's torque specification (usually less than 30 ft/lbs).



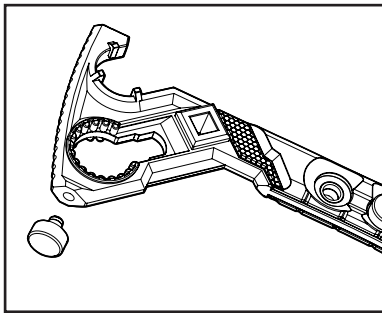
CASTLE NUT WRENCH:

The castle nut wrench can be used in two orientations. One side has elongated teeth (as shown) to work around aftermarket end plates. If possible, use the opposite side of the wrench for maximum grip. Tighten castle nut to the manufacturer's recommendation (40 ft/lbs or less) and stake.



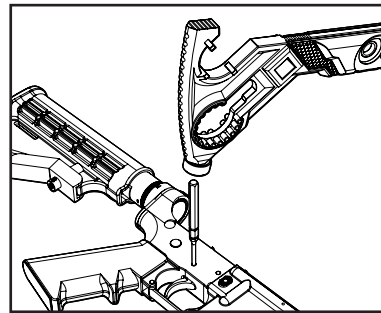
5/8" FIXED STOCK RECEIVER EXTENSION WRENCH:

Make sure the receiver extension wrench is seated fully before applying the manufacturer's recommended torque value during installation (usually 40 ft/lbs). This 5/8" wrench can also help install and remove some muzzle devices as well.



HAMMER HEADS (STORAGE):

Thanks to the addition of the interchangeable hammer heads, this wrench has the ability to transform into an armorer's hammer as well. The hammer heads easily unthread from their stored position in the handle to their in-use position on the side of the casting (as shown).



HAMMER HEADS (IN-USE):

Be sure to use the proper hammer head for the job at hand to avoid damaging the firearm or hammer head. For example, the brass hammer head can be used with a pin punch for most pins, but for stubborn front sight pins, the built-in stainless steel hammer head should be used with a punch instead.

CARE & MAINTENANCE: Your Armorer's Master Wrench should be cleaned periodically. Clean with a lightweight machine oil or non-volatile penetrating oil. Avoid getting oil on the handle and remove overspray or spillage. Note that the main casting is made of corrosion-resistant stainless steel, but no stainless steel is rust proof. If spots or stains appear, remove with a non-abrasive pad and penetrating oil. Use caution to avoid harming the outer coating.

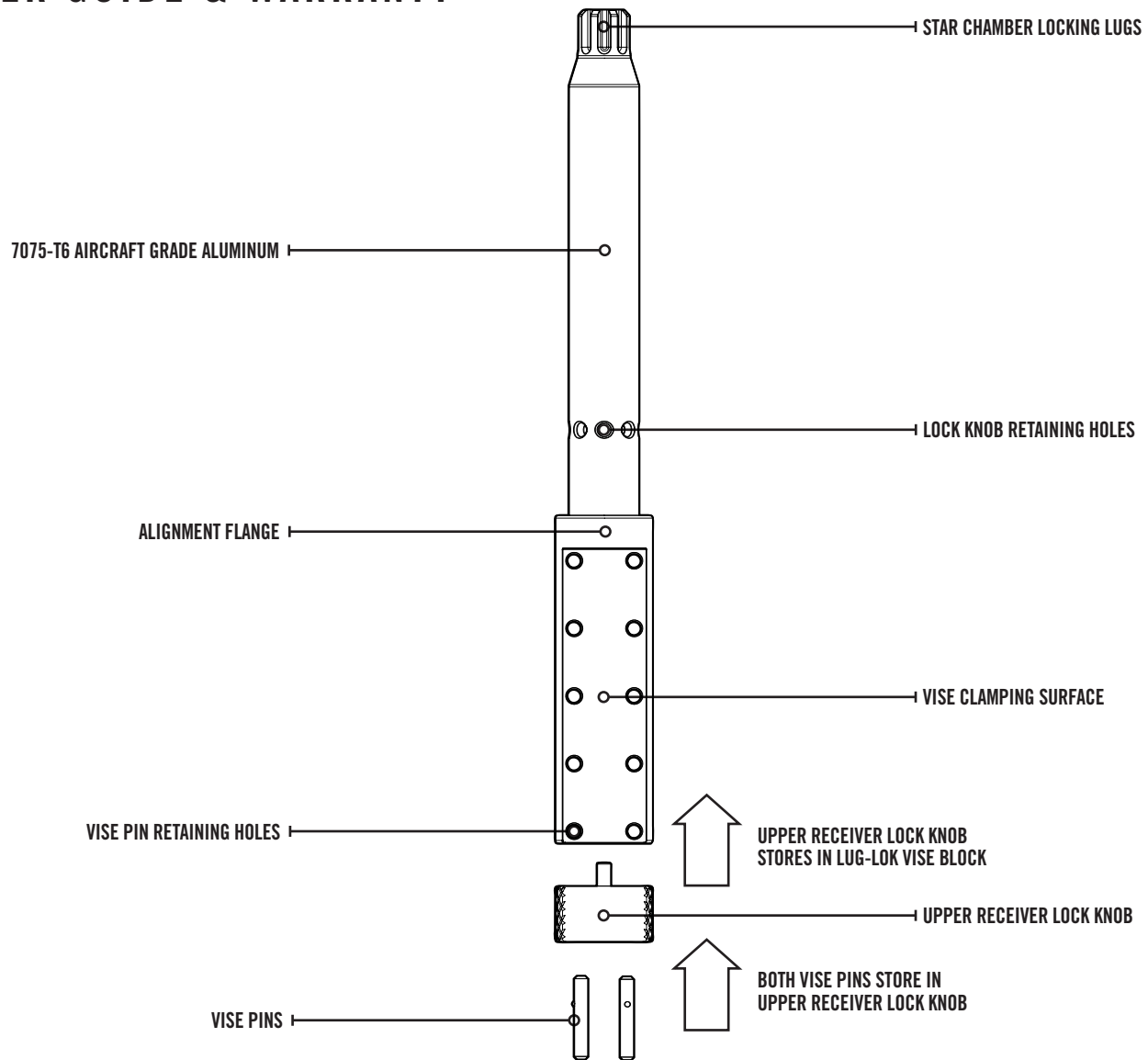
WARNING: If deformation of wrench surfaces occurs, do not attempt to continue using the wrench. Using a deformed wrench increases the potential for slipping and potentially damaging gun components and personal injury.

WARRANTY

WARRANTY: Limited – 3 Year Warranty: The Armorer's Master Wrench is guaranteed free of defects in materials and workmanship for three years from date of original purchase. Real Avid will replace or repair any product that proves defective upon our inspection. Use of the Armorer's Master Wrench for anything other than its intended purpose is considered misuse and voids this warranty. For warranty service, send the product, proof of purchase with shipping paid, along with an explanation of the defect, as well as your name, address and phone number to Real Avid, 5480 Nathan Lane North, Suite 120, Minneapolis, MN 55442 USA. This warranty excludes damage resulting from deliberate or accidental misuse. Warranty does not cover rust, stains or corrosion, or normal wear and tear. Repair or replacement is the exclusive remedy under this warranty. Real Avid, its partners and affiliates are not liable for incidental or consequential damage resulting from use. Some states do not allow exclusion or limitation of incidental or consequential damages; therefore, the above exclusions may not apply to you. This warranty gives you specific legal rights, and you may have other rights, which vary from state to state.

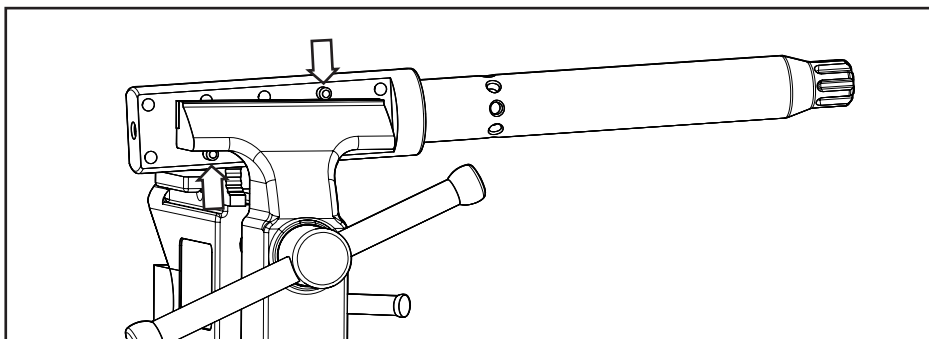
LUG-LOK UPPER VISE BLOCK™

USER GUIDE & WARRANTY



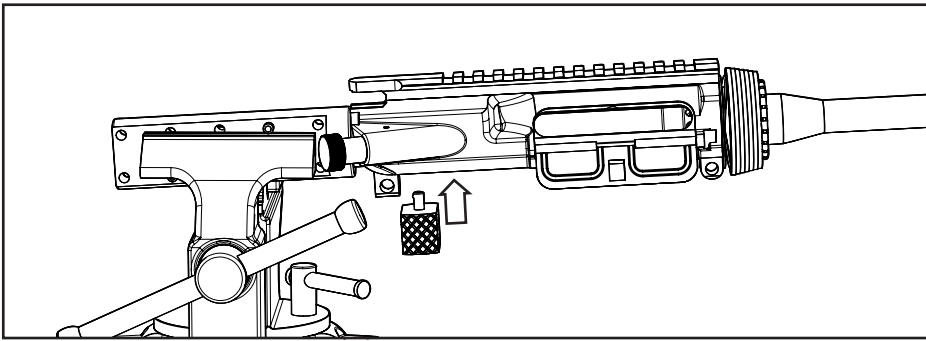
SAFETY: Before using the Lug-Lok Upper Vise Block on a firearm, you must MAKE SURE THAT THE FIREARM IS UNLOADED AND SAFE to work on. It is your responsibility to exercise caution during the use of this tool, especially when applying torque. Typically the recommended torque range to install a barrel nut is between 30 to 80 ft/lbs. but you should always consult your firearm manufacturer for proper torque requirements. DO NOT APPLY EXCESSIVE TORQUE. To avoid damaging your firearm, make sure that you are using an appropriate precision made barrel nut wrench when tightening or loosening a barrel nut.

CORE FEATURES



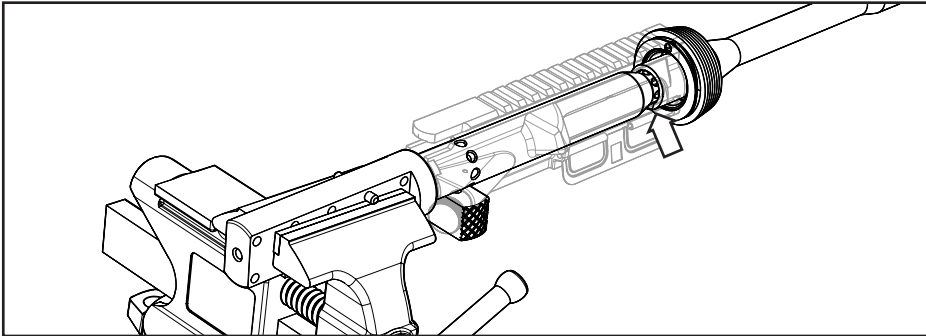
WISE PINS:

The vise pins are designed to be placed on opposite sides of the vise jaws to help secure the Log-Lok Upper Vise Block during use. The clamping surface has a variety of holes to accept the vise pins so that the Log-Lok can be secured at various angles to accommodate a variety of working scenarios.



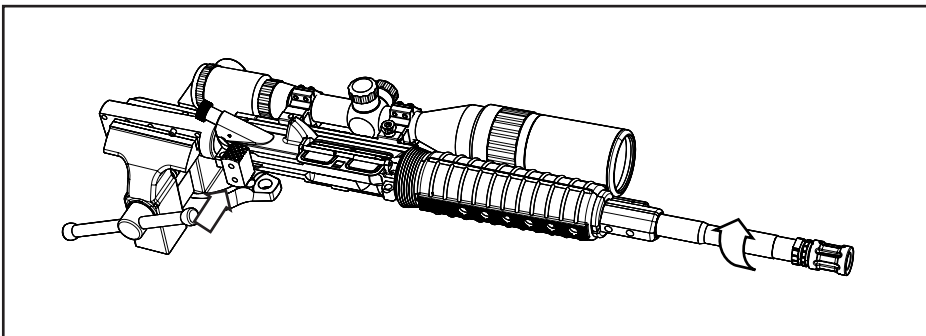
UPPER RECEIVER LOCK KNOB:

This device is used to prevent the upper receiver from moving forward accidentally. When combined with the engagement of the star chamber lugs, the Lock Knob fully secures the barreled upper receiver. Simply slide the barreled upper receiver to the desired position against the alignment flange, then insert the post of the Lock Knob into the corresponding hole on the aluminum shaft. Now the assembly is locked in place.



STAR CHAMBER LOCKING LUGS:

The unique shape on the end of the block has been precisely machined to securely engage with the lugs of the star chamber. These prevent the barreled upper receiver from rotating right or left. They also take the brunt of the torque while tightening or loosening a barrel nut.



VARIETY OF USES:

Because the star chamber is symmetrical, the Lug-Lok Upper Vise Block can hold the barreled upper receiver at a variety of angles. This allows for easy adjustments to a variety of accessories. Simply rotate the barreled receiver to the desired angle and retain it using the Upper Receiver Lock Knob.

CARE & MAINTENANCE: Your Lug-Lok Upper Vise Block should be cleaned periodically. Clean with a lightweight machine oil or non-volatile penetrating oil. Because the Lug-Lok upper Vise Block is machined from aircraft grade aluminum, it won't rust, but it can oxidize. If spots or stains appear, remove with a non-abrasive pad and penetrating oil. Use caution to avoid harming the outer coating.

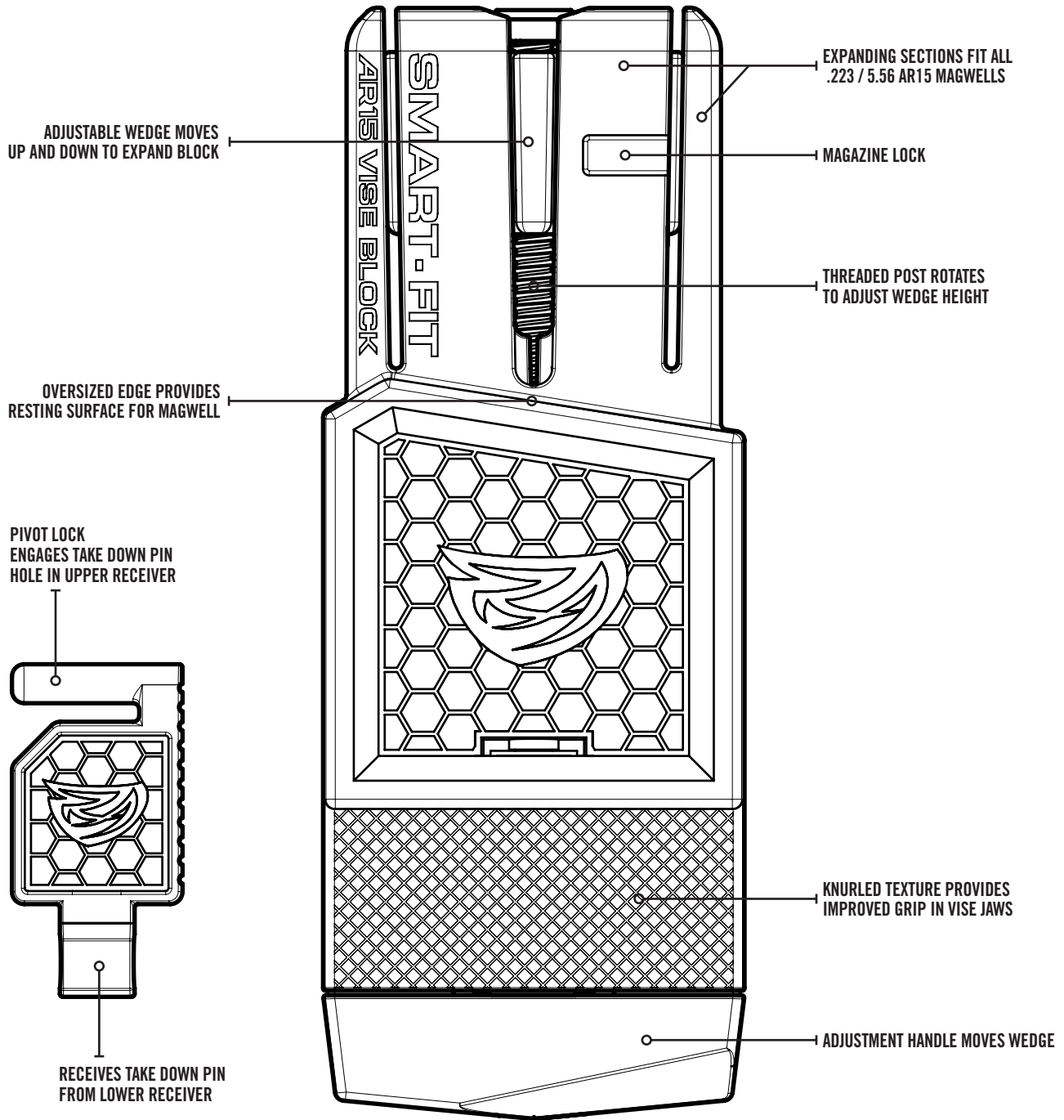
WARNING: If deformation of the Star Chamber Locking Lugs occurs, do not attempt to continue using the product. Using deformed vise blocks increases the potential for slipping and potentially damaging gun components or causing personal injury.

WARRANTY

WARRANTY: Limited – 3 Year Warranty: The Lug-Lok Upper Vise Block is guaranteed free of defects in materials and workmanship for three years from date of original purchase. Real Avid will replace or repair any product that proves defective upon our inspection. Use of the Lug-Lok Upper Vise Block for anything other than its intended purpose is considered misuse and voids this warranty. For warranty service, send the product, proof of purchase with shipping paid, along with an explanation of the defect, as well as your name, address and phone number to Real Avid, 5480 Nathan Lane North, Suite 120, Minneapolis, MN 55442 USA. This warranty excludes damage resulting from deliberate or accidental misuse. Warranty does not cover rust, stains or corrosion, or normal wear and tear. Repair or replacement is the exclusive remedy under this warranty. Real Avid, its partners and affiliates are not liable for incidental or consequential damage resulting from use. Some states do not allow exclusion or limitation of incidental or consequential damages; therefore, the above exclusions may not apply to you. This warranty gives you specific legal rights, and you may have other rights, which vary from state to state.

SMART-FIT™ AR15 VISE BLOCK

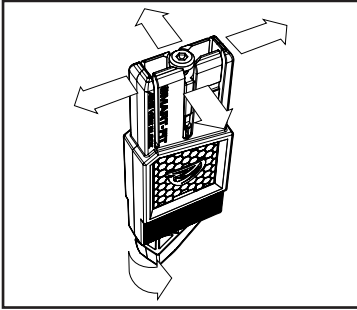
USER GUIDE & WARRANTY



SAFETY: Before using the Smart-Fit AR15 Vise Block on a firearm, you must **MAKE SURE THAT THE FIREARM IS UNLOADED AND SAFE** to work on. To avoid damaging your firearm, make sure that you are using a properly secured bench vise to hold the Smart-Fit Vise Block in place during use. It is your responsibility to exercise caution during the use of this tool, especially when applying torque.

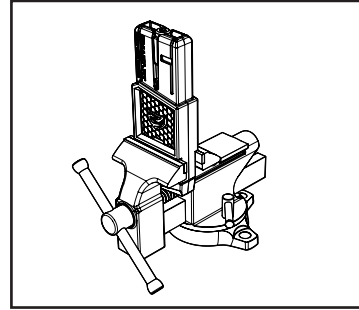
TORQUE WARNING: This product is **NOT** intended to be used for high torque applications such as barrel nut installation. Do not apply excessive torque. For high torque applications like barrel nut installation we recommend the use of an upper receiver vise block like the Real Avid Lug-Lok Upper Vise Block.

CORE FUNCTIONS



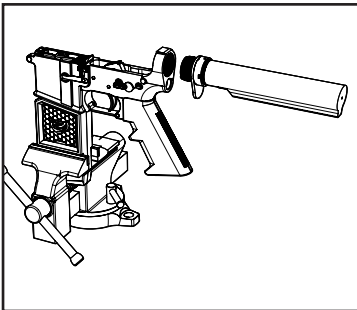
ADJUSTMENT HANDLE:

Rotate adjustment handle to change the amount of interference with the magwell. Rotate clockwise to increase interference, and rotate counterclockwise to reduce interference. Tighten until light interference is felt. **DO NOT OVERTIGHTEN.** Relieve interference before removing.



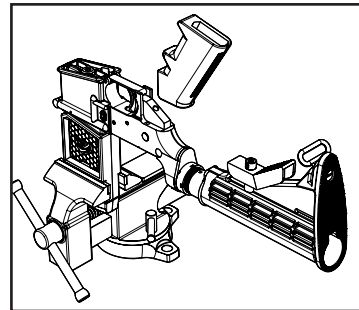
WISE USAGE:

The knurled portion of the Smart-Fit AR15 Vise Block is the area that must be gripped by the vise jaws, but the adjustment handle must remain clear of the jaws. The block should be firmly grasped by the vise jaws, **BUT DO NOT OVERTIGHTEN.** Vise must be securely fastened to the work surface.



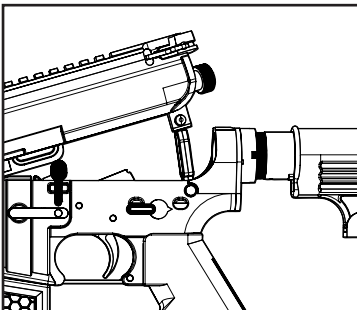
UPRIGHT USAGE:

This position is ideal for buffer tube work and trigger assembly cleaning. When the block is inserted into the magwell in this position, the magazine lock will engage with the block. The magazine release will need to be pressed in order to remove the lower receiver from the block.



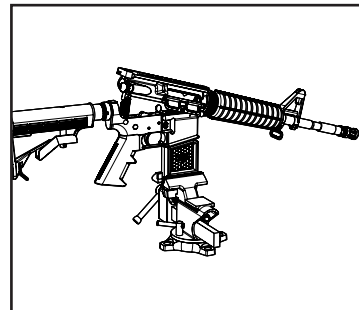
INVERTED USAGE:

This position is ideal for pistol grip removal and installation. When the block is inserted into the magwell in this position, be cautious of interference with the bolt catch. Also, the magazine lock will **NOT** engage with the block in this orientation.



PIVOT LOCK:

The pivot lock is designed to be placed between the upper and lower receivers utilizing the take down pin to lock it in place. This spacer holds the firearm in the ideal orientation for cleaning and inspection.



CLEANING ON THE BLOCK:

With the Pivot Lock in place and the Smart-Fit AR15 Vise Block locked into the magwell and a vise, the firearm is held in the perfect orientation for bore and chamber cleaning. After cleaning, be sure to wipe any excess cleaning solvents from the plastic components to reduce the risk of damaging them.

CARE & MAINTENANCE: If the Smart-Fit AR15 Vise Block or Pivot Lock become dirty over time, it is okay to spot clean them, but **DO NOT** soak them with water or cleaning solvents, as this may degrade their function and appearance.

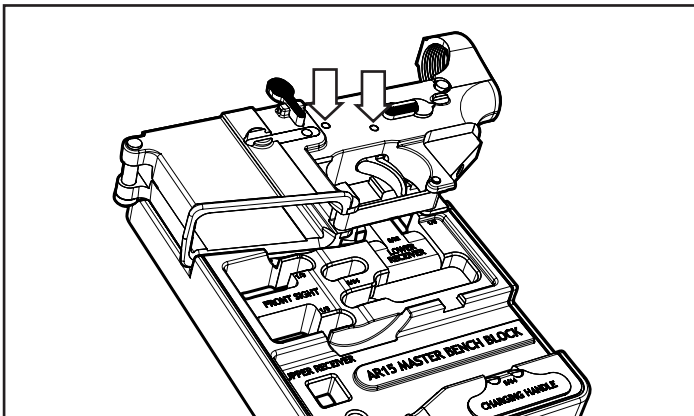
WARNING: The plastic components used in the Smart-Fit AR15 Vise Block and Pivot Lock are made from a durable engineering grade resin, but they are not indestructible. If damage occurs do not attempt to continue using them. Using damaged build tools increases the potential for damaging gun components and personal injury.

WARRANTY

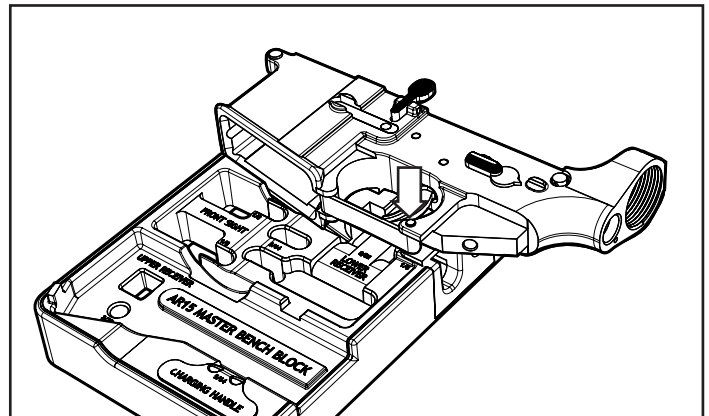
WARRANTY: Limited – 3 Year Warranty: The Smart-Fit AR15 Vise Block and Pivot Lock are guaranteed free of defects in materials and workmanship for three years from date of original purchase. Real Avid will replace or repair any product that proves defective upon our inspection. Use of the Smart-Fit AR15 Vise Block or Pivot Lock for anything other than their intended purposes is considered misuse and voids this warranty. For warranty service, send the product, proof of purchase with shipping paid, along with an explanation of the defect, as well as your name, address and phone number to Real Avid, 5480 Nathan Lane North, Suite 120, Minneapolis, MN 55442 USA. This warranty excludes damage resulting from deliberate or accidental misuse. Warranty does not cover rust, stains or corrosion, or normal wear and tear. Repair or replacement is the exclusive remedy under this warranty. Real Avid, its partners and affiliates are not liable for incidental or consequential damage resulting from use. Some states do not allow exclusion or limitation of incidental or consequential damages; therefore, the above exclusions may not apply to you. This warranty gives you specific legal rights, and you may have other rights, which vary from state to state.

AR15 MASTER BENCH BLOCK™

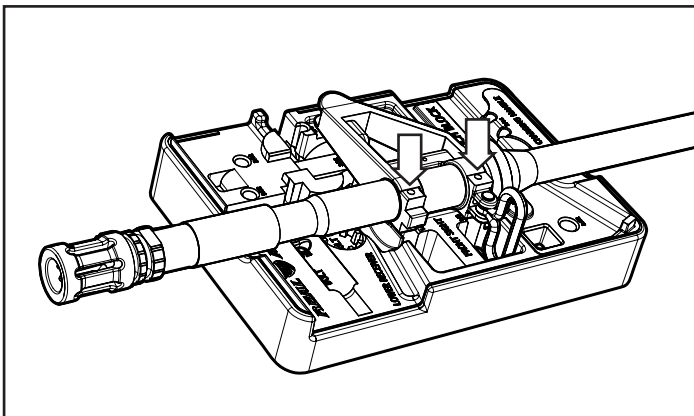
USER GUIDE & WARRANTY



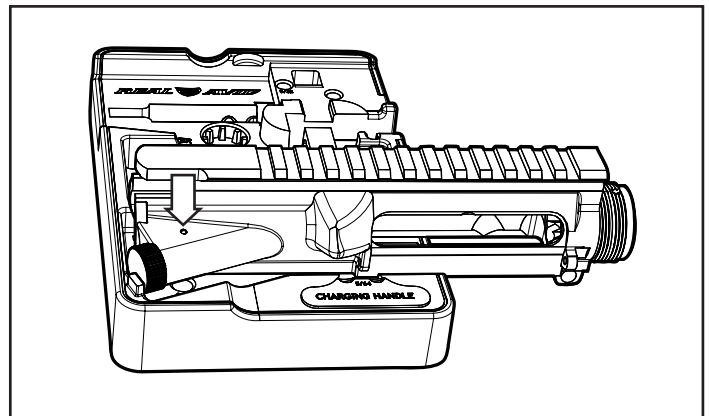
TRIGGER ASSEMBLY: The trigger assembly can be removed by knocking out two 5/32" pins located on the side of the lower receiver. Lay the lower receiver on its right side as shown and use a 5/32" punch to remove these two pins. **Note that the pistol grip should be removed for proper fit.**



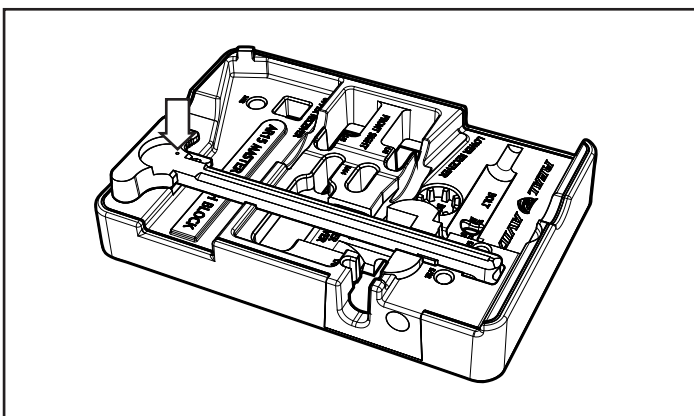
TRIGGER GUARD: The trigger guard can be removed from many lower receivers. For proper removal, lay the lower receiver on its right side as shown and use a 1/8" punch to remove the trigger guard pin. **Note that the pistol grip should be removed for proper fit.**



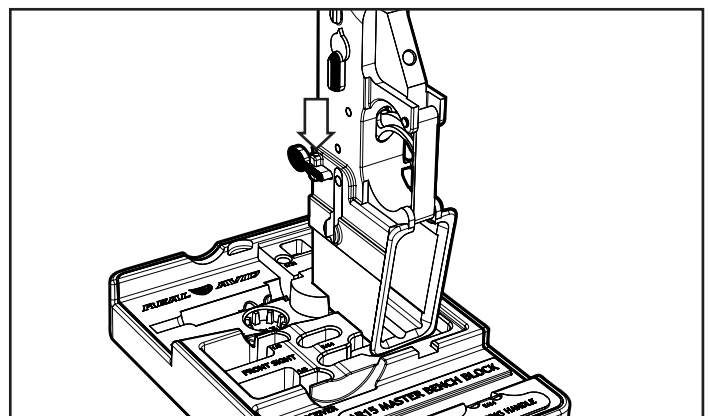
GAS BLOCK: Gas blocks come in many sizes and shapes. The standard A2 gas block has three removable pins: two 1/8" pins and one 5/64" pin. The gun barrel and gas block assembly can be placed on the bench block in two orientations for added convenience while removing or installing pins.



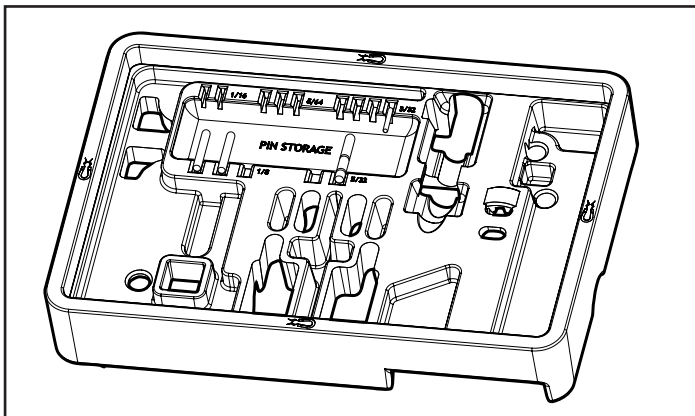
FORWARD ASSIST: To remove the pin from the forward assist, position upper receiver as shown. Be sure to depress the forward assist as you align the take down peg into the square hole in the block. Holding the forward assist in this compressed position removes the force on the roll pin. Use a 3/32" punch to remove or install pin.



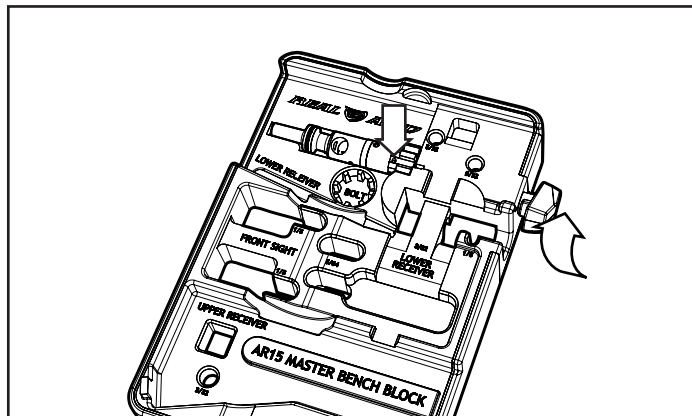
CHARGING HANDLE: Place the charging handle in the upright position as shown. Standard charging handles have one 5/64" pin. Custom charging handles can have multiple pins in various locations. Consult charging handle manufacturer for exact pin sizes to reduce the risk of causing damage to the charging handle.



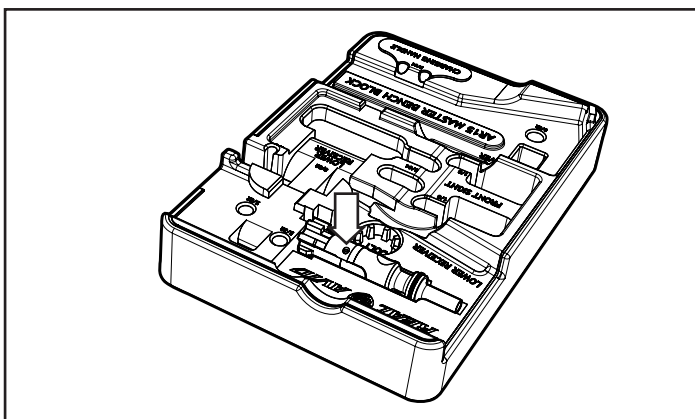
BOLT CATCH: The bolt catch has a 3/32" roll pin that can be removed by placing the lower receiver in a vertical orientation. With the pivot pin in the pulled-out position, mount the receiver onto the block. Press the pivot pin in to lock the receiver into the block. Use a 3/32" punch to remove the roll pin.



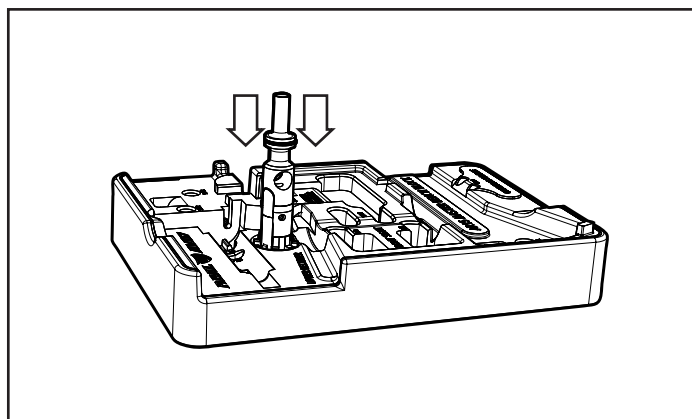
PIN STORAGE: Place pins into their designated slots on the bottom side of the bench block for storage during assembly or disassembly. There are also four powerful magnets embedded in the side walls to help capture loose pins as they are punched out.



BOLT EJECTOR: The bolt ejector is retained by a 1/16" roll pin. The roll pin is under tension from the spring loaded ejector. To relieve the tension, lay the bolt onto the bench block as shown and tighten the bolt ejector compression screw, then remove or install the roll pin. **Note that the precise orientation of the bolt is critical for this process.**



BOLT EXTRACTOR: Bolt extractors have a 3/32" solid pin. Place the bolt on its side as shown and tap out pin with a 3/32" punch.



BOLT GAS RING INSTALLATION: Place the bolt in the vertical position to install the three gas rings.

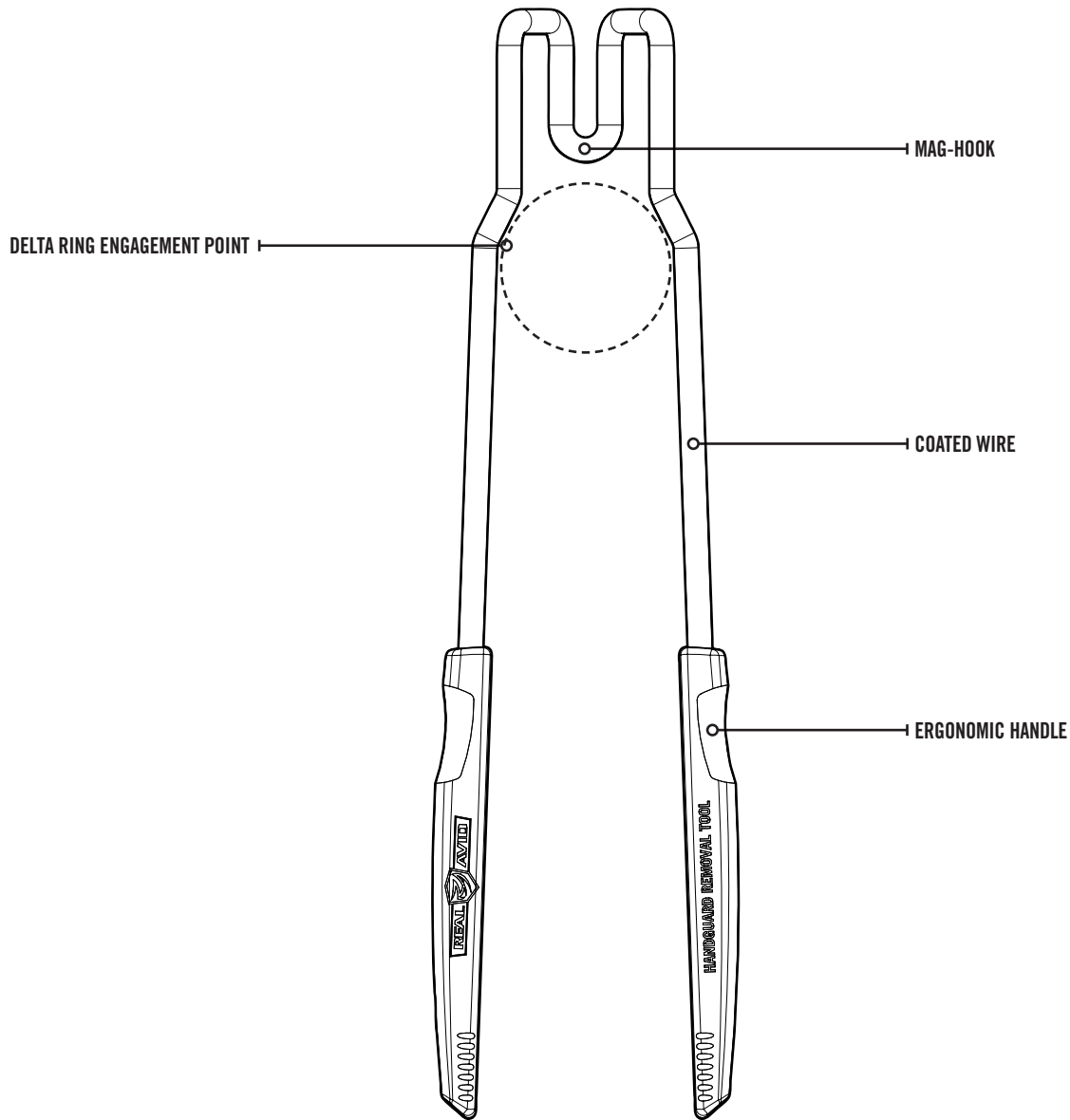
WARNING: If small deformations occur they should not impact the function of the block. If deformations do impact the function of the block, do not attempt to continue using the block. Using excessively deformed bench blocks increases the potential for accidents and potentially damaging gun components or personal injury.

WARRANTY

WARRANTY: Limited – 3 Year Warranty: The AR15 Master Bench Block is guaranteed free of defects in materials and workmanship for three years from date of original purchase. Real Avid will replace or repair any product that proves defective upon our inspection. Use of the AR15 Master Bench Block for anything other than its intended purpose is considered misuse and voids this warranty. For warranty service, send the product, proof of purchase with shipping paid, along with an explanation of the defect, as well as your name, address and phone number to Real Avid, 5480 Nathan Lane North, Suite 120, Minneapolis, MN 55442 USA. This warranty excludes damage resulting from deliberate or accidental misuse. Warranty does not cover rust, stains or corrosion, or normal wear and tear. Repair or replacement is the exclusive remedy under this warranty. Real Avid, its partners and affiliates are not liable for incidental or consequential damage resulting from use. Some states do not allow exclusion or limitation of incidental or consequential damages; therefore, the above exclusions may not apply to you. This warranty gives you specific legal rights, and you may have other rights, which vary from state to state.

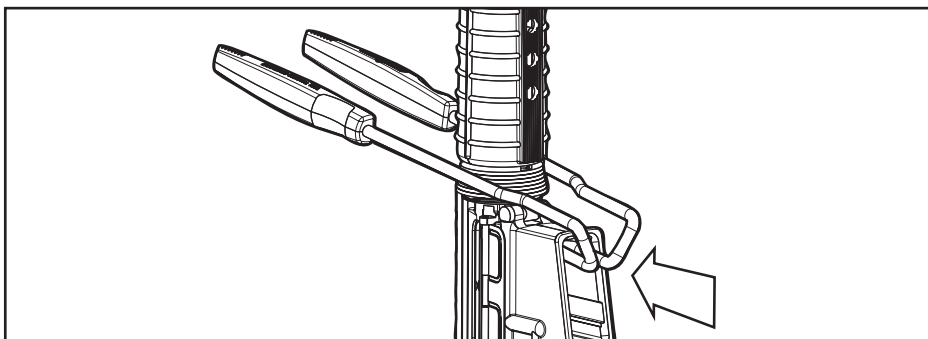
EASY-GRIP HANDGUARD REMOVAL TOOL™

USER GUIDE & WARRANTY



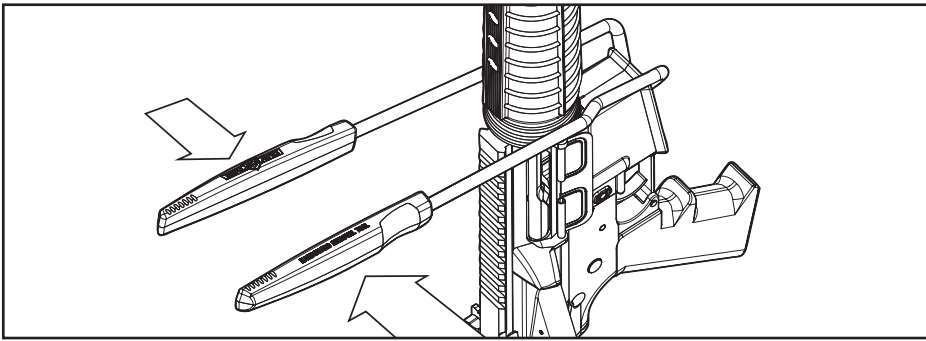
SAFETY: Before using the Easy-Grip Handguard Removal Tool on a firearm, you must **MAKE SURE THAT THE FIREARM IS UNLOADED AND SAFE** to work on. It is your responsibility to exercise caution during the use of this tool, especially when compressing the Delta Ring. Always wear the proper safety equipment when working with firearms.

HOW TO USE:



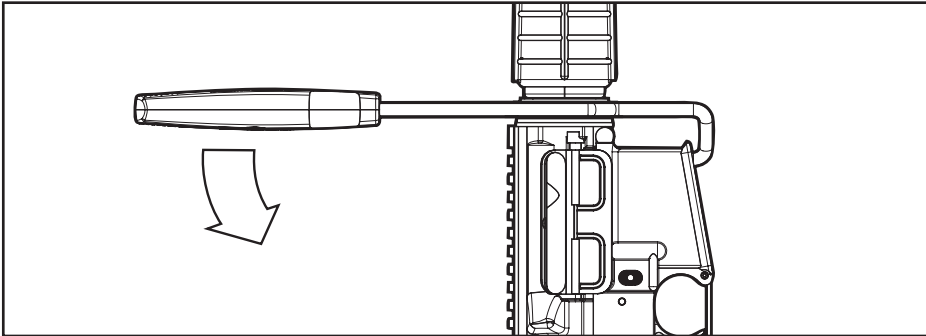
STEP 1:

Verify that the magazine has been removed and that the chamber is empty. Then insert the Mag-Hook of the Easy-Grip Handguard Removal Tool into the empty magwell as shown.



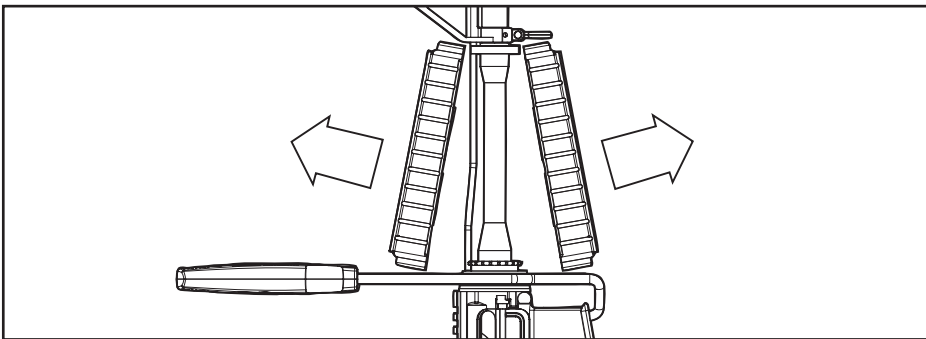
STEP 2:

Squeeze the handles towards each other using one hand. This pressure will cause the coated wire to make contact with the Delta Ring.



STEP 3:

Keep applying pressure to the Delta Ring and push the handles downward toward the stock of the rifle. This will compress the Delta Ring spring and retract the Delta Ring.



STEP 4:

With the Delta Ring completely retracted, the handguard will be disengaged. Now use your free hand to separate the two halves of the handguard and remove them from the rifle. Finally, return the Delta Ring to its normal location, and remove the Easy-Grip Handguard Removal Tool.

CARE & MAINTENANCE: The coating on your Easy-Grip Handguard Removal Tool will wear over time. Always apply even pressure and do not let the Delta Ring slip against the coating to avoid excessive wear.

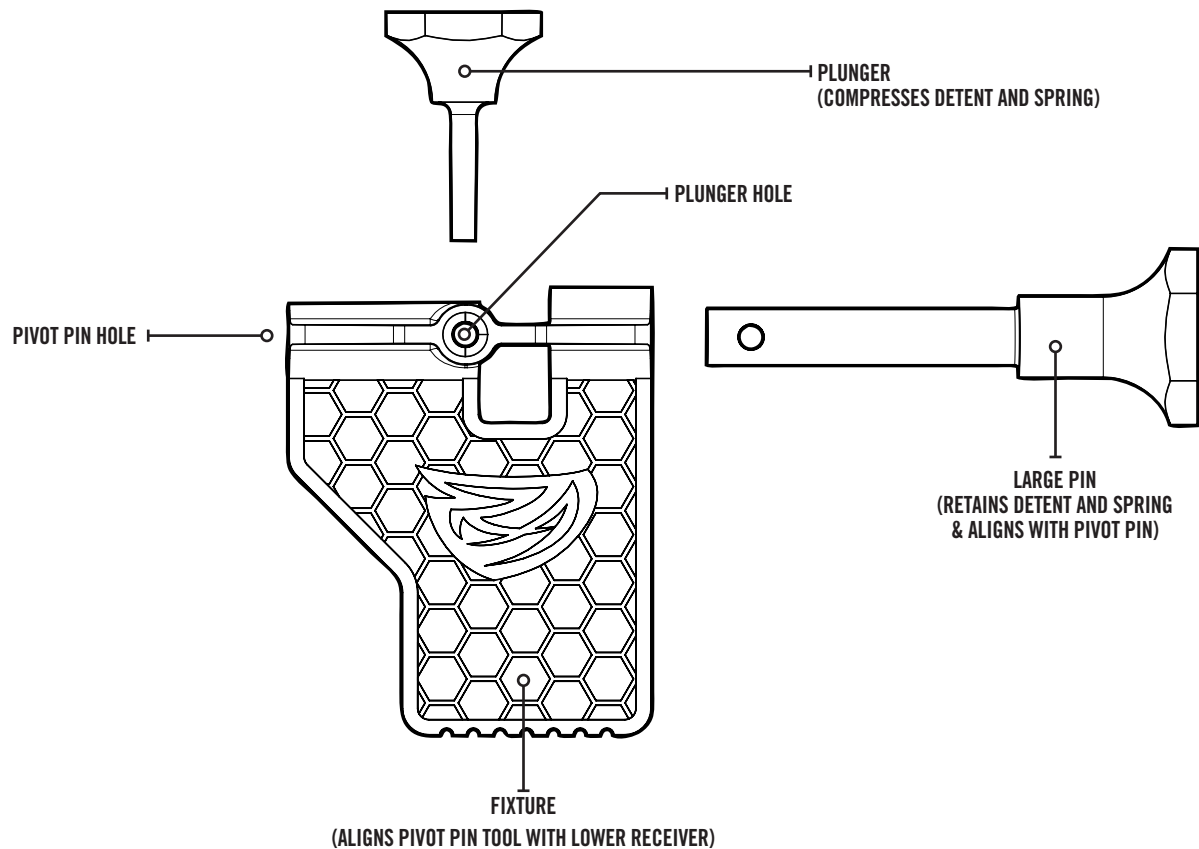
WARNING: If the protective coating is worn away completely and exposes the wire core, DO NOT CONTINUE TO USE THE TOOL. Using the tool with exposed wire will cause scratching to your rifle's finish.

WARRANTY

WARRANTY: Limited – 3 Year Warranty: The Easy-Grip Handguard Removal Tool is guaranteed free of defects in materials and workmanship for three years from date of original purchase. Real Avid will replace or repair any product that proves defective upon our inspection. Use of the Easy-Grip Handguard Removal Tool for anything other than its intended purpose is considered misuse and voids this warranty. For warranty service, send the product, proof of purchase with shipping paid, along with an explanation of the defect, as well as your name, address and phone number to Real Avid, 5480 Nathan Lane North, Suite 120, Minneapolis, MN 55442 USA. This warranty excludes damage resulting from deliberate or accidental misuse. Warranty does not cover worn coatings, or normal wear and tear. Repair or replacement is the exclusive remedy under this warranty. Real Avid, its partners and affiliates are not liable for incidental or consequential damage resulting from use. Some states do not allow exclusion or limitation of incidental or consequential damages; therefore, the above exclusions may not apply to you. This warranty gives you specific legal rights, and you may have other rights, which vary from state to state.

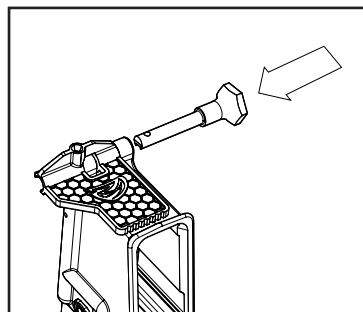
AR15 PIVOT PIN TOOL

USER GUIDE & WARRANTY



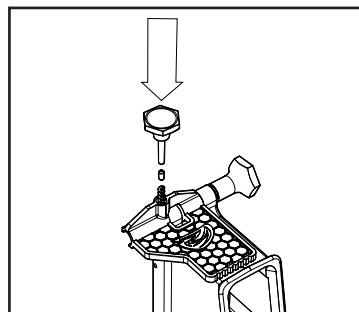
SAFETY: Before using the AR15 Pivot Pin Tool on a firearm, you must **MAKE SURE THAT THE FIREARM IS UNLOADED AND SAFE** to work on. To make installation of the pivot pin easier, we recommend that you place your lower receiver in a properly secured magwell vise block. It is your responsibility to exercise caution during the use of this tool.

HOW TO USE:



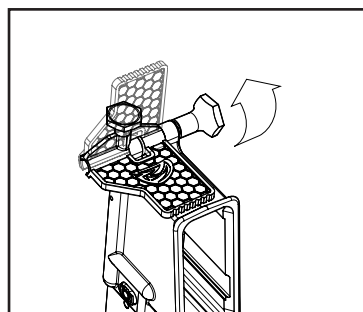
STEP 1:

Install fixture on lower receiver as shown. Next, insert large pin through lower receiver pivot pin hole and into fixture. Note that groove of large pin must align properly with the fixture.



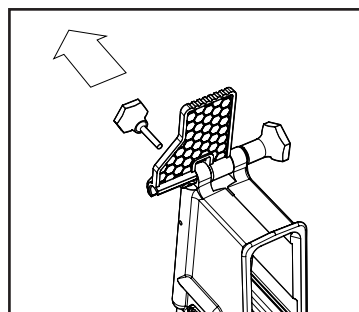
STEP 2:

With fixture and large pin properly assembled, insert spring first and detent second. The spring and detent should go through the fixture and into the lower receiver. With spring and detent in lower receiver, insert plunger all the way to compress spring and detent.



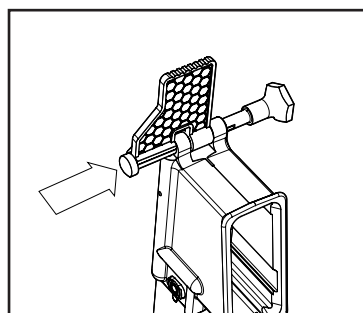
STEP 3:

With plunger compressed entirely, rotate the assembly 90 degrees. Make sure to keep pressure on the plunger as you begin to rotate the assembly. After rotation, the spring and detent will be retained by the large pin.



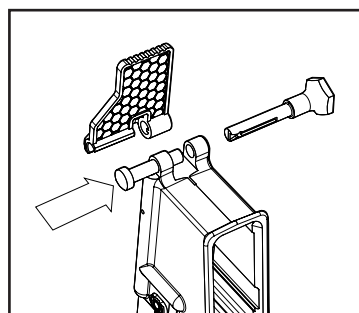
STEP 4:

Now that the spring and detent are retained, you must remove the plunger from the assembly. Removing the plunger allows the large pin to slide freely.



STEP 5:

With plunger removed, insert the pivot pin into the fixture. Keep light pressure between the pivot pin and large pin by squeezing the two pins towards each other while you slide the pivot pin into the position shown. This helps to assure that the spring and detent remain retained.



STEP 6:

Now remove the AR15 Pivot Pin Tool. Start by removing the large pin. Next, remove the fixture by unsnapping it from the pivot pin. Finally, slide the pivot pin into its closed position. Make sure that the groove on the pivot pin is aligned with the spring and detent. You should hear the detent click into place.

CARE & MAINTENANCE: If the components of the AR15 Pivot Pin Tool become dirty over time, it is okay to spot clean them, but DO NOT soak them with water or cleaning solvents, as this may degrade their function and appearance.

WARNING: The plastic components used in the AR15 Pivot Pin Tool are made from a durable engineering grade resin, but they are not indestructible. If damage occurs do not attempt to continue using them. Using damaged build tools increases the potential for damaging gun components and personal injury.

WARRANTY

WARRANTY: Limited – 3 Year Warranty: The AR15 Pivot Pin Tool is guaranteed free of defects in materials and workmanship for three years from date of original purchase. Real Avid will replace or repair any product that proves defective upon our inspection. Use of the AR15 Pivot Pin Tool for anything other than its intended purpose is considered misuse and voids this warranty. For warranty service, send the product, proof of purchase with shipping paid, along with an explanation of the defect, as well as your name, address and phone number to Real Avid, 5480 Nathan Lane North, Suite 120, Minneapolis, MN 55442 USA This warranty excludes damage resulting from deliberate or accidental misuse. Warranty does not cover rust, stains or corrosion, or normal wear and tear. Repair or replacement is the exclusive remedy under this warranty. Real Avid, its partners and affiliates are not liable for incidental or consequential damage resulting from use. Some states do not allow exclusion or limitation of incidental or consequential damages; therefore, the above exclusions may not apply to you. This warranty gives you specific legal rights, and you may have other rights, which vary from state to state.

TO FRIENDS AND CUSTOMERS: As the owners of Real Avid, authenticity isn't just a strategy here. It's a guiding philosophy. It arises out of our faith and personal relationships with Jesus Christ. We know that our creativity and success ultimately comes from Him. He cares about each of us and about our customers. We're not perfect, but we are committed to following Him in our personal and business lives.

We look forward to growing our relationship with you and continuing to earn our place.



Revo Brand Group, LLC
5480 Nathan Lane North, Suite 120
Minneapolis, MN 55442 USA

RealAvid.com • 800-286-0567

©2018 Revo Brand Group